

Bellows suction cup (round)

FSG 9 HT1-60 M5-AG

Part no.:10.01.06.00963

<https://www.schmalz.com/10.01.06.00963>

Home > Vacuum Technology for Automation > Vacuum Components > Vacuum Suction Cups > Bellows Suction Cups (Round) > Bellows Suction Cups FSG (2.5 Folds) > FSG 9 HT1-60 M5-AG

Bellows suction cup (round) for very uneven workpieces



Size: 9

Suction cup material: High temp material HT1

Material hardness [Shore A]: 60 Shore A

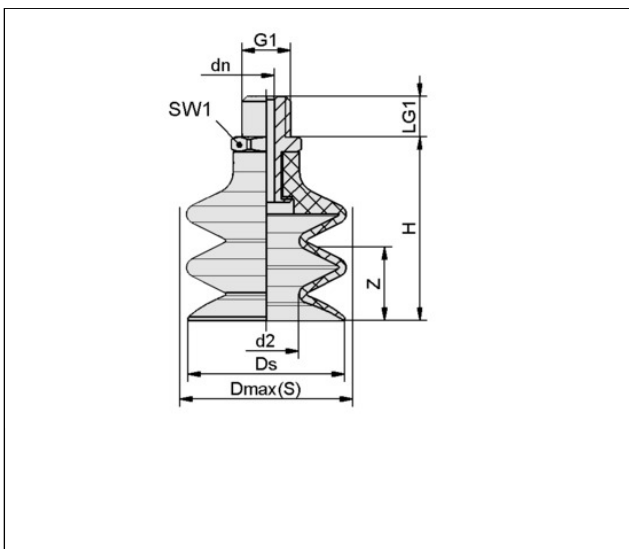
Nipple material: Aluminum

Connection: M5-M

Number of folds: 2.5

Vacuum connection: M5-M

Design Data



| Attribute | Value |
|------------|---------|
| d2 | 4.10 mm |
| dn | 2.50 mm |
| Dmax(S) | 9.50 mm |
| Ds | 9 mm |
| G1 | M5-M |
| H | 20 mm |
| LG1 | 5 mm |
| SW1 | 7 mm |
| Z (Stroke) | 3 mm |

Technical Data

| Attribute | Value |
|-----------|-------|
|-----------|-------|

Contact Schmalz

J. Schmalz GmbH | Johannes-Schmalz-Str.1, D-72293 Glatten | +49 7443 2403-102 | customercenter@schmalz.de

Bellows suction cup (round)

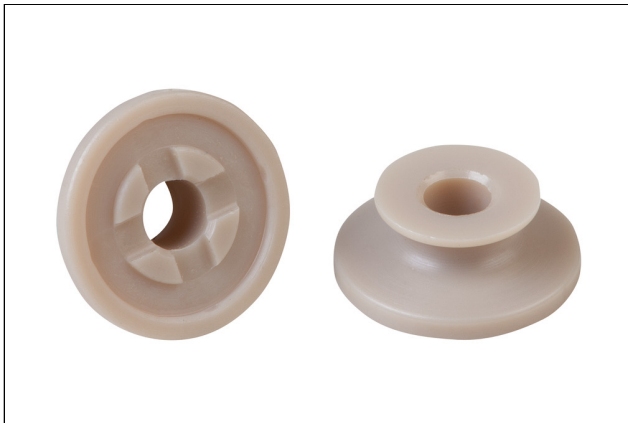
FSG 9 HT1-60 M5-AG

Part no...:10.01.06.00963

<https://www.schmalz.com/10.01.06.00963>

| | |
|-----------------------------|------------------------|
| Suction cup material | High temp material HT1 |
| Material hardness [Shore A] | 60 Shore A |
| Size | 9 |
| Number of folds | 2.50 |
| Connection | M5-AG |
| Curve radius (min) (convex) | 10 mm |
| Volume | 0.15 cm ³ |
| Suction force (-600mbar) | 0.79 N |
| Pull-off force | 2.30 N |
| Hose diameter (empf.) d | 2 mm |
| Weight | 1.80 g |
| Product family | FSG |

Accessories



SPI 9 PEEK

Part no...:10.01.06.03280

Size: 9

Material: Polyetheretherketon

Spare parts

Contact Schmalz

J. Schmalz GmbH | Johannes-Schmalz-Str.1, D-72293 Glatten | +49 7443 2403-102 | customercenter@schmalz.de

Bellows suction cup (round)

FSG 9 HT1-60 M5-AG

Part no.:10.01.06.00963

<https://www.schmalz.com/10.01.06.00963>



SA-NIP N016 M5-AG DN250

Part no.:10.01.06.00123

Nipple family: N 016

Thread G1: M5-M

Length L1: 16 mm

Fitting length: 5 mm

Nominal diameter dn: 2.5 mm

Material: Aluminum



FG 9 HT1-60 N016

Part no.:10.01.06.00878

Size: 9

Suction cup material: High temp material HT1

Material hardness [Shore A]: 60 Shore A

Number of folds: 2.5