

Bellows suction cup (round)

FSG 18 HT1-60 G1/8-IG

Part no.:10.01.06.00984

<https://www.schmalz.com/10.01.06.00984>

Home > Vacuum Technology for Automation > Vacuum Components > Vacuum Suction Cups > Bellows Suction Cups (Round) > Bellows Suction Cups FSG (2.5 Folds) > FSG 18 HT1-60 G1/8-IG

Bellows suction cup (round) for very uneven workpieces



Size: 18

Suction cup material: High temp material HT1

Material hardness [Shore A]: 60 Shore A

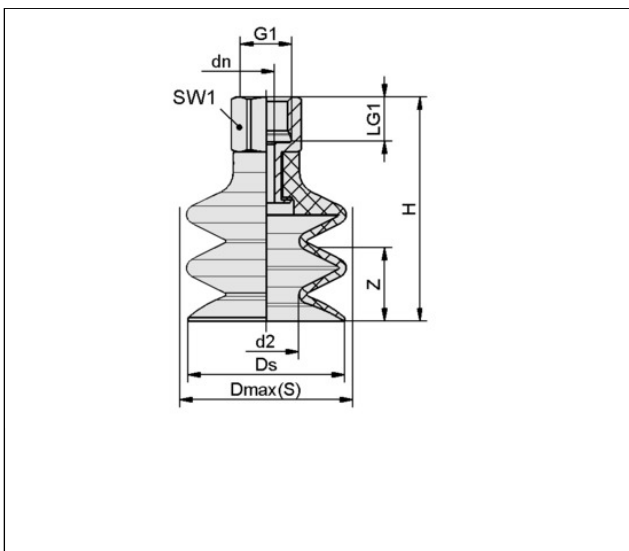
Nipple material: Aluminum

Connection: G1/8"-F

Number of folds: 2.5

Vacuum connection: G1/8"-F

Design Data



Attribute	Value
d2	8 mm
dn	3.50 mm
Dmax(S)	19 mm
Ds	17.20 mm
G1	G1/8"-F
H	34.60 mm
LG1	8 mm
SW1	14 mm
Z (Stroke)	9 mm

Technical Data

Attribute	Value
-----------	-------

Contact Schmalz

J. Schmalz GmbH | Johannes-Schmalz-Str.1, D-72293 Glatten | +49 7443 2403-102 | customercenter@schmalz.de

Bellows suction cup (round)

FSG 18 HT1-60 G1/8-IG

Part no...:10.01.06.00984

<https://www.schmalz.com/10.01.06.00984>

Suction cup material	High temp material HT1
Material hardness [Shore A]	60 Shore A
Size	18
Number of folds	2.50
Connection	G1/8-IG
Curve radius (min) (convex)	20 mm
Volume	1.35 cm ³
Suction force (-600mbar)	3.02 N
Pull-off force	8.50 N
Hose diameter (empf.) d	4 mm
Weight	6 g
Product family	FSG

Accessories



SPI 17 PEEK

Part no...:10.01.06.03283

Size: 17

Material: Polyetheretherketon

Spare parts

Bellows suction cup (round)

FSG 18 HT1-60 G1/8-IG

Part no.:10.01.06.00984

<https://www.schmalz.com/10.01.06.00984>



SA-NIP N016 G1/8-IG DN350

Part no.:10.01.06.05731

Nipple family: N 016

Thread G1: G1/8"-F

Length L1: 18.5 mm

Fitting length: 12 mm

Nominal diameter dn: 3.5 mm

Material: Aluminum



FG 18 HT1-60 N016

Part no.:10.01.06.00881

Size: 18

Suction cup material: High temp material HT1

Material hardness [Shore A]: 60 Shore A

Number of folds: 2.5