

Bellows suction cup (round)

FSG 20 HT1-60 M5-AG

Part no.:10.01.06.01240

<https://www.schmalz.com/10.01.06.01240>

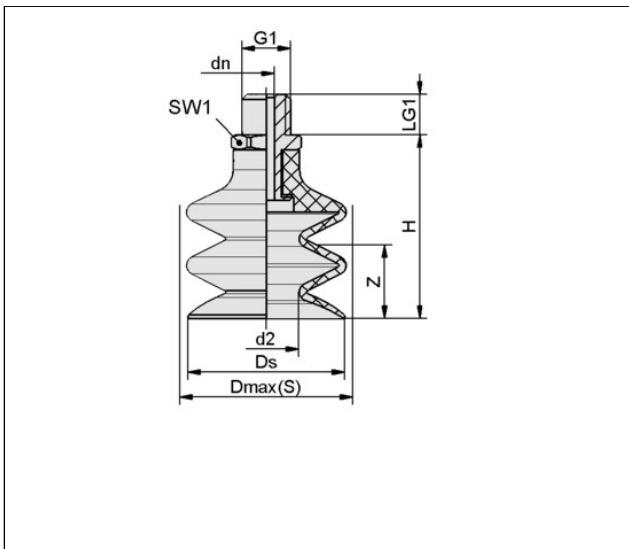
Home > Vacuum Technology for Automation > Vacuum Components > Vacuum Suction Cups > Bellows Suction Cups (Round) > Bellows Suction Cups FSG (2.5 Folds) > FSG 20 HT1-60 M5-AG

Bellows suction cup (round) for very uneven workpieces



Size: 20
 Suction cup material: High temp material HT1
 Material hardness [Shore A]: 60 Shore A
 Nipple material: Aluminum
 Connection: M5-M
 Number of folds: 2.5
 Vacuum connection: M5-M

Design Data



Attribute	Value
d2	10.50 mm
dn	2.50 mm
Dmax(S)	21 mm
Ds	20 mm
G1	M5-M
H	27.10 mm
LG1	5 mm
SW1	7 mm
Z (Stroke)	9 mm

Technical Data

Attribute	Value
-----------	-------

Bellows suction cup (round)

FSG 20 HT1-60 M5-AG

Part no.:10.01.06.01240

<https://www.schmalz.com/10.01.06.01240>

Suction cup material	High temp material HT1
Material hardness [Shore A]	60 Shore A
Size	20
Number of folds	2.50
Connection	M5-AG
Curve radius (min) (convex)	30 mm
Volume	2.30 cm ³
Suction force (-600mbar)	5.20 N
Pull-off force	12.10 N
Hose diameter (empf.) d	2 mm
Weight	3.30 g
Product family	FSG

Accessories



FD 16 120

Part no.:10.01.06.02565

External diameter D: 16 mm

Filter pore size: 120 µm

Construction use: Bellows suction cup

Size: FG20/FGA20

Bellows suction cup (round)

FSG 20 HT1-60 M5-AG

Part no.:10.01.06.01240

<https://www.schmalz.com/10.01.06.01240>



SPI 21 PEEK

Part no.:10.01.06.03285

Size: 21

Material: Polyetheretherketon

Spare parts



SA-NIP N016 M5-AG DN250

Part no.:10.01.06.00123

Nipple family: N 016

Thread G1: M5-M

Length L1: 16 mm

Fitting length: 5 mm

Nominal diameter dn: 2.5 mm

Material: Aluminum



FG 20 HT1-60 N016

Part no.:10.01.06.01253

Size: 20

Suction cup material: High temp material HT1

Material hardness [Shore A]: 60 Shore A

Number of folds: 2.5