

# Bellows suction cup (round)

FSG 32 HT1-60 G1/4-IG

Part no.:10.01.06.01246

<https://www.schmalz.com/10.01.06.01246>

Home > Vacuum Technology for Automation > Vacuum Components > Vacuum Suction Cups > Bellows Suction Cups (Round) > Bellows Suction Cups FSG (2.5 Folds) > FSG 32 HT1-60 G1/4-IG

## Bellows suction cup (round) for very uneven workpieces



Size: 32

Suction cup material: High temp material HT1

Material hardness [Shore A]: 60 Shore A

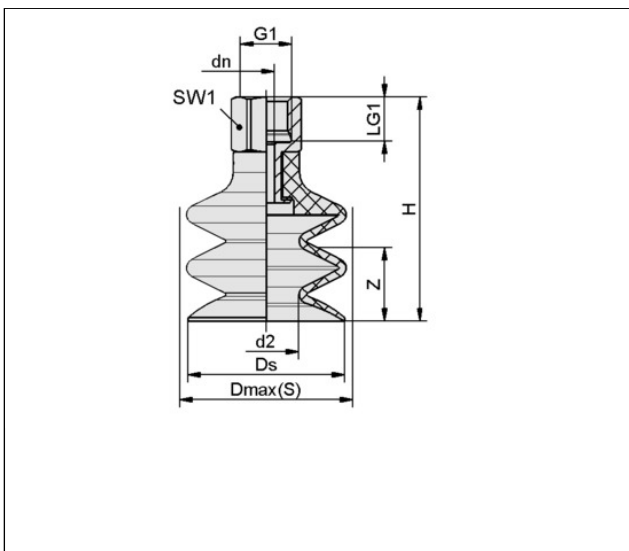
Nipple material: Aluminum

Connection: G1/4"-F

Number of folds: 2.5

Vacuum connection: G1/4"-F

## Design Data



Attribute	Value
d2	16 mm
dn	4.40 mm
Dmax(S)	33.50 mm
Ds	32 mm
G1	G1/4"-F
H	52.50 mm
LG1	12 mm
SW1	17 mm
Z (Stroke)	15 mm

## Technical Data

Attribute	Value
-----------	-------

### Contact Schmalz

J. Schmalz GmbH | Johannes-Schmalz-Str.1, D-72293 Glatten | +49 7443 2403-102 | [customercenter@schmalz.de](mailto:customercenter@schmalz.de)

## Bellows suction cup (round)

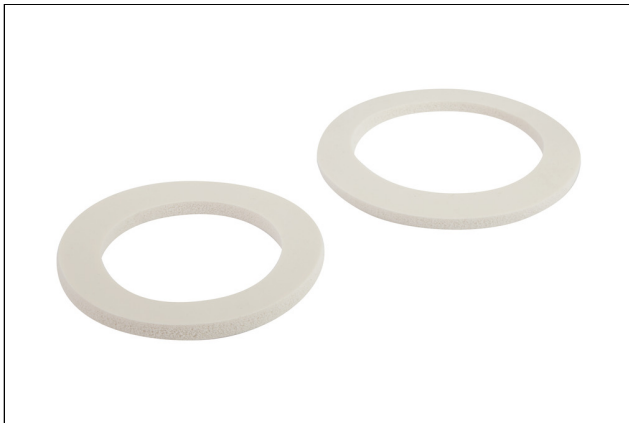
FSG 32 HT1-60 G1/4-IG

Part no.:10.01.06.01246

<https://www.schmalz.com/10.01.06.01246>

Suction cup material	High temp material HT1
Material hardness [Shore A]	60 Shore A
Size	32
Number of folds	2.50
Connection	G1/4-IG
Curve radius (min) (convex)	35 mm
Volume	9.77 cm <sup>3</sup>
Suction force (-600mbar)	12.06 N
Pull-off force	36.90 N
Hose diameter (empf.) d	6 mm
Weight	18 g
Product family	FSG

### Accessories



#### DR 32/19x2 MOS SI-15

Part no.:10.01.06.02615

External diameter D: 32 mm

Internal diameter d: 19 mm

Height H: 2 mm

Material type: Foam rubber

Sealing material: Silicone SI

Material hardness [Shore A]: 15 Shore A

## Bellows suction cup (round)

FSG 32 HT1-60 G1/4-IG

Part no.:10.01.06.01246

<https://www.schmalz.com/10.01.06.01246>



### FD 27 120

Part no.:10.01.06.02571

External diameter D: 27 mm

Filter pore size: 120 µm

Construction use: Bellows suction cup

Size: FG 32



### SPI 32 PEEK

Part no.:10.01.06.03287

Size: 32

Material: Polyetheretherketon



### SU 30

Part no.:10.01.01.12889

Size: 30

Clamping range: 27.0 ... 35.0 mm

Temperature resistance: 80 °C

## Spare parts

### Contact Schmalz

J. Schmalz GmbH | Johannes-Schmalz-Str.1, D-72293 Glatten | +49 7443 2403-102 | [customercenter@schmalz.de](mailto:customercenter@schmalz.de)

## Bellows suction cup (round)

FSG 32 HT1-60 G1/4-IG

Part no.:10.01.06.01246

<https://www.schmalz.com/10.01.06.01246>



### SA-NIP N018 G1/4-IG DN440

Part no.:10.01.06.01066

Nipple family: N 018

Thread G1: G1/4"-F

Length L1: 28.8 mm

Fitting length: 15 mm

Nominal diameter dn: 4.4 mm

Spanner size SW2: 5 mm

Material: Aluminum



### FG 32 HT1-60 N018

Part no.:10.01.06.01254

Size: 32

Suction cup material: High temp material HT1

Material hardness [Shore A]: 60 Shore A

Number of folds: 2.5