

Bellows suction cup (round)

FSG 3 HT1-60 M5-AG

Part no.:10.01.06.03716

<https://www.schmalz.com/10.01.06.03716>

Home > Vacuum Technology for Automation > Vacuum Components > Vacuum Suction Cups > Bellows Suction Cups (Round) > Bellows Suction Cups FSG (2.5 Folds) > FSG 3 HT1-60 M5-AG

Bellows suction cup (round) for very uneven workpieces



Size: 3

Suction cup material: High temp material HT1

Material hardness [Shore A]: 60 Shore A

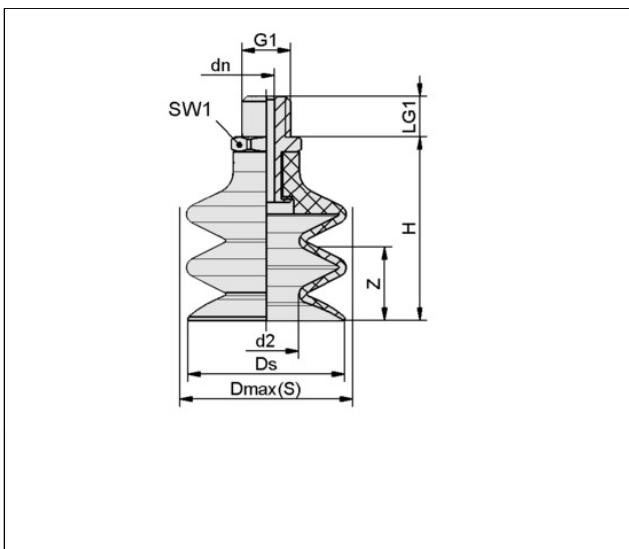
Nipple material: Aluminum

Connection: M5-M

Number of folds: 2.5

Vacuum connection: M5-M

Design Data



Attribute	Value
d2	1.80 mm
dn	1 mm
Dmax(S)	4 mm
Ds	3 mm
G1	M5-M
H	10.20 mm
LG1	4.50 mm
SW1	7 mm
Z (Stroke)	1.10 mm

Technical Data

Attribute	Value
-----------	-------

Contact Schmalz

J. Schmalz GmbH | Johannes-Schmalz-Str.1, D-72293 Glatten | +49 7443 2403-102 | customercenter@schmalz.de

Bellows suction cup (round)

FSG 3 HT1-60 M5-AG

Part no.:10.01.06.03716

<https://www.schmalz.com/10.01.06.03716>

Suction cup material	High temp material HT1
Material hardness [Shore A]	60 Shore A
Size	3
Number of folds	2.50
Connection	M5-AG
Curve radius (min) (convex)	4 mm
Volume	0.02 cm ³
Suction force (-600mbar)	0.15 N
Pull-off force	0.40 N
Hose diameter (empf.) d	2 mm
Weight	0.70 g
Product family	FSG

Spare parts



SA-NIP N055 M5-AG DN100

Part no.:10.01.01.13084

Thread G1: M5-M

Fitting length: 3.5 mm

Material: Aluminum

Bellows suction cup (round)

FSG 3 HT1-60 M5-AG

Part no.:10.01.06.03716

<https://www.schmalz.com/10.01.06.03716>



FG 3 HT1-60 N055

Part no.:10.01.06.03639

Size: 3

Suction cup material: High temp material HT1

Material hardness [Shore A]: 60 Shore A

Number of folds: 2.5