

Bell suction cup (round)

FSG 3 SI-55 M5-AG

Part no.:10.01.06.03718

<https://www.schmalz.com/10.01.06.03718>

Homepage > Vacuum Technology for Automation > Vacuum Components > Vacuum Suction Cups > Suction Cups for the Electronics Industry >

Bellows Suction Cups FSG (2.5 Folds) > FSG 3 SI-55 M5-AG

Bellows suction cup (round) for very uneven workpieces



Size: 3

Suction cup material: Silicone SI

Material hardness: 55 °Sh

Material characteristics:

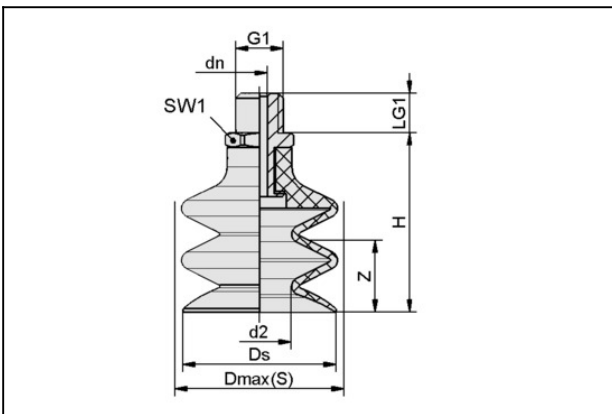
FDA-compatible

Nipple material: Aluminium

Vacuum connection: M5-M

Number of folds: 2.5

Design Data



Attribute	Value
d2	1.8 mm
dn	1 mm
Dmax(S)	4 mm
Ds	3 mm
G1	M5-M
H	10.2 mm
LG1	4.5 mm
SW1	7 mm
Z (Stroke)	1.1 mm

Technical Data

Contact to Schmalz

J. Schmalz GmbH | Johannes-Schmalz-Straße, 72293 Glatten, Deutschland | +49 7443 2403-102 | customercenter@schmalz.de

Bell suction cup (round)

FSG 3 SI-55 M5-AG

Part no.:10.01.06.03718

<https://www.schmalz.com/10.01.06.03718>



Attribute	Value
Suction cup material	Silicone SI
Material hardness [Shore A]	55 Shore A
Size	3
Number of folds	2.5
Connection	M5-AG
Curve radius (min) (convex)	4 mm
Volume	0.022 cm ³
Suction force (-600mbar)	0.15 N
Pull-off force	0.4 N
Hose diameter (empf.) d	2 mm
Weight	0.7 g
Product family	FSG

Note: Suction force: The specified suction forces are theoretical values at a vacuum of -0.6 bar and with a smooth, dry workpiece surface - they do not include a safety factor Pull-off force: The pull-off force of the versions made of natural rubber is reduced by about 40% Hose diameter: The recommended hose diameter refers to a hose length of approx. 2 m

Spare Parts



SA-NIP N055 M5-AG DN100

Part no.10.01.01.13084

Suction cup connection nipple

Nipple: N 055

Thread G1: M5-M

Overall length: 10.7 mm

Fitting length: 3.5 mm

Nominal size: 1.00 mm

Material: Aluminium

Contact to Schmalz

J. Schmalz GmbH | Johannes-Schmalz-Straße, 72293 Glatten, Deutschland | +49 7443 2403-102 | customercenter@schmalz.de

Bell suction cup (round)

FSG 3 SI-55 M5-AG

Part no.:10.01.06.03718

<https://www.schmalz.com/10.01.06.03718>



FG 3 SI-55 N055

Part no.10.01.06.03705

Bellows suction cup (round) for very uneven workpieces

Size: 3

Suction cup material: Silicone SI

Material hardness: 55 °Sh

Material characteristics:

FDA-compatible

Number of folds: 2.5