

Bellows suction cup (round)

FSGA 22 NBR-55 G1/8-IG

Part no.:10.01.06.00063

<https://www.schmalz.com/10.01.06.00063>

Home > Vacuum Technology for Automation > Vacuum Components > Vacuum Suction Cups > Bellows Suction Cups (Round) > Bellows Suction Cups FSGA (1.5 Folds) > FSGA 22 NBR-55 G1/8-IG

Bellows suction cup (round) with optimal adaptation to uneven surfaces



Size: 22

Suction cup material: Nitrile rubber NBR

Material hardness [Shore A]: 55 Shore A

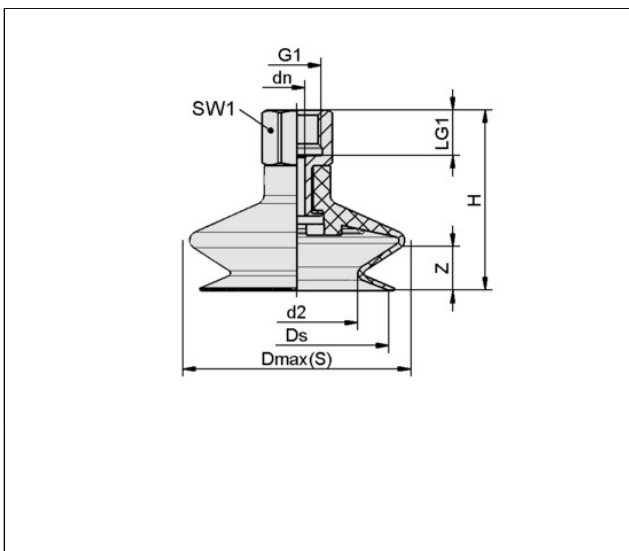
Nipple material: Aluminum

Connection: G1/8"-F

Number of folds: 1.5

Vacuum connection: G1/8"-F

Design Data



Attribute	Value
d2	11.70 mm
Dmax(S)	25 mm
dn	3.50 mm
Ds	21.50 mm
G1	G1/8"-F
H	31 mm
LG1	8 mm
SW1	14 mm
Z (Stroke)	6 mm

Technical Data

Attribute	Value
-----------	-------

Contact Schmalz

J. Schmalz GmbH | Johannes-Schmalz-Str.1, D-72293 Glatten | +49 7443 2403-102 | customercenter@schmalz.de

Bellows suction cup (round)

FSGA 22 NBR-55 G1/8-IG

Part no.:10.01.06.00063

<https://www.schmalz.com/10.01.06.00063>

Suction cup material	Nitrile rubber NBR
Material hardness [Shore A]	55 Shore A
Size	22
Number of folds	1.50
Connection	G1/8-IG
Curve radius (min) (convex)	25 mm
Volume	1.40 cm ³
Suction force (-600mbar)	5.70 N
Pull-off force	15.20 N
Hose diameter (empf.) d	4 mm
Weight	6.20 g
Product family	FSGA

Accessories



SPI 21 PEEK

Part no.:10.01.06.03285

Size: 21

Material: Polyetheretherketon

Spare parts

Bellows suction cup (round)

FSGA 22 NBR-55 G1/8-IG

Part no.:10.01.06.00063

<https://www.schmalz.com/10.01.06.00063>



SA-NIP N016 G1/8-IG DN350

Part no.:10.01.06.05731

Nipple family: N 016

Thread G1: G1/8"-F

Length L1: 18.5 mm

Fitting length: 12 mm

Nominal diameter dn: 3.5 mm

Material: Aluminum



FGA 22 NBR-55 N016

Part no.:10.01.06.00097

Size: 22

Suction cup material: Nitrile rubber NBR

Material hardness [Shore A]: 55 Shore A

Number of folds: 1.5