

# Bellows suction cup (round)

FSGA 43 NBR-55 G1/4-IG

Part no.:10.01.06.00065

<https://www.schmalz.com/10.01.06.00065>

Home > Vacuum Technology for Automation > Vacuum Components > Vacuum Suction Cups > Bellows Suction Cups (Round) > Bellows Suction Cups FSGA (1.5 Folds) > FSGA 43 NBR-55 G1/4-IG

## Bellows suction cup (round) with optimal adaptation to uneven surfaces



Size: 43

Suction cup material: Nitrile rubber NBR

Material hardness [Shore A]: 55 Shore A

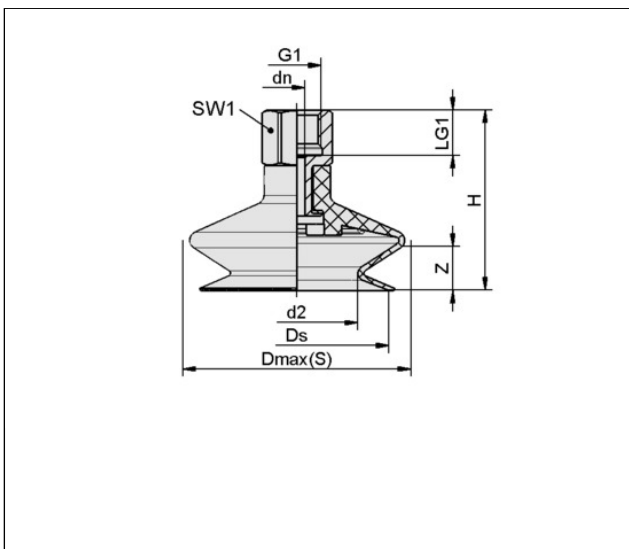
Nipple material: Aluminum

Connection: G1/4"-F

Number of folds: 1.5

Vacuum connection: G1/4"-F

## Design Data



Attribute	Value
d2	21.90 mm
Dmax(S)	47.50 mm
dn	4.40 mm
Ds	38 mm
G1	G1/4"-F
H	42.60 mm
LG1	12 mm
SW1	17 mm
Z (Stroke)	10 mm

## Technical Data

Attribute	Value
-----------	-------

### Contact Schmalz

J. Schmalz GmbH | Johannes-Schmalz-Str.1, D-72293 Glatten | +49 7443 2403-102 | [customercenter@schmalz.de](mailto:customercenter@schmalz.de)

## Bellows suction cup (round)

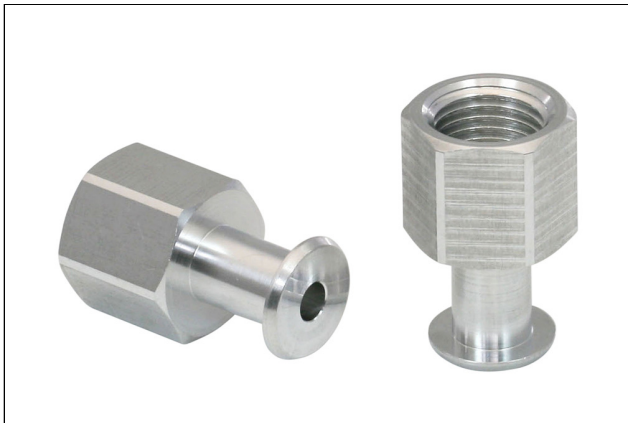
FSGA 43 NBR-55 G1/4-IG

Part no.:10.01.06.00065

<https://www.schmalz.com/10.01.06.00065>

Suction cup material	Nitrile rubber NBR
Material hardness [Shore A]	55 Shore A
Size	43
Number of folds	1.50
Connection	G1/4-IG
Curve radius (min) (convex)	60 mm
Volume	11.45 cm <sup>3</sup>
Suction force (-600mbar)	22.80 N
Pull-off force	64.50 N
Hose diameter (empf.) d	6 mm
Weight	19 g
Product family	FSGA

### Spare parts



#### SA-NIP N018 G1/4-IG DN440

Part no.:10.01.06.01066

Nipple family: N 018

Thread G1: G1/4"-F

Length L1: 28.8 mm

Fitting length: 15 mm

Nominal diameter dn: 4.4 mm

Spanner size SW2: 5 mm

Material: Aluminum

## Bellows suction cup (round)

FSGA 43 NBR-55 G1/4-IG

Part no.:10.01.06.00065

<https://www.schmalz.com/10.01.06.00065>



### **FGA 43 NBR-55 N018**

Part no.:10.01.06.00131

Size: 43

Suction cup material: Nitrile rubber NBR

Material hardness [Shore A]: 55 Shore A

Number of folds: 1.5