

Bellows suction cup (round)

FSGA 33 SI-55 G1/4-IG

Part no.:10.01.06.00071

<https://www.schmalz.com/10.01.06.00071>

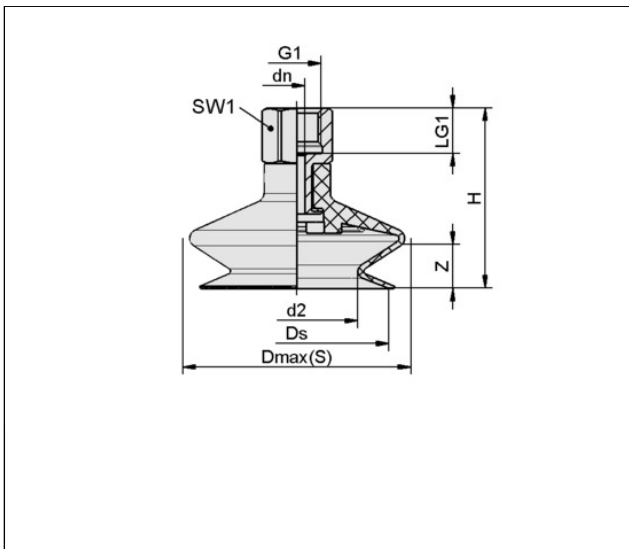
Home > Vacuum Technology for Automation > Vacuum Components > Vacuum Suction Cups > Bellows Suction Cups (Round) > Bellows Suction Cups FSGA (1.5 Folds) > FSGA 33 SI-55 G1/4-IG

Bellows suction cup (round) with optimal adaptation to uneven surfaces



Size: 33
 Suction cup material: Silicone SI
 Material hardness [Shore A]: 55 Shore A
 Nipple material: Aluminum
 Connection: G1/4"-F
 Number of folds: 1.5
 Vacuum connection: G1/4"-F

Design Data



Attribute	Value
d2	17 mm
Dmax(S)	38 mm
dn	4.40 mm
Ds	30 mm
G1	G1/4"-F
H	42 mm
LG1	12 mm
SW1	17 mm
Z (Stroke)	9 mm

Technical Data

Attribute	Value
-----------	-------

Contact Schmalz

J. Schmalz GmbH | Johannes-Schmalz-Str.1, D-72293 Glatten | +49 7443 2403-102 | customercenter@schmalz.de

Bellows suction cup (round)

FSGA 33 SI-55 G1/4-IG

Part no.:10.01.06.00071

<https://www.schmalz.com/10.01.06.00071>

Suction cup material	Silicone SI
Material hardness [Shore A]	55 Shore A
Size	33
Number of folds	1.50
Connection	G1/4-IG
Curve radius (min) (convex)	40 mm
Volume	4.75 cm ³
Suction force (-600mbar)	13.60 N
Pull-off force	39.60 N
Hose diameter (empf.) d	6 mm
Weight	16 g
Product family	FSGA

Accessories



SPI 32 PEEK

Part no.:10.01.06.03287

Size: 32

Material: Polyetheretherketon

Spare parts

Contact Schmalz

J. Schmalz GmbH | Johannes-Schmalz-Str.1, D-72293 Glatten | +49 7443 2403-102 | customercenter@schmalz.de

Bellows suction cup (round)

FSGA 33 SI-55 G1/4-IG

Part no.:10.01.06.00071

<https://www.schmalz.com/10.01.06.00071>



SA-NIP N018 G1/4-IG DN440

Part no.:10.01.06.01066

Nipple family: N 018

Thread G1: G1/4"-F

Length L1: 28.8 mm

Fitting length: 15 mm

Nominal diameter dn: 4.4 mm

Spanner size SW2: 5 mm

Material: Aluminum



FGA 33 SI-55 N018

Part no.:10.01.06.00126

Size: 33

Suction cup material: Silicone SI

Material hardness [Shore A]: 55 Shore A

Number of folds: 1.5