

Bellows suction cup (round)

FSGA 53 SI-55 G1/4-IG

Part no.:10.01.06.00073

<https://www.schmalz.com/10.01.06.00073>

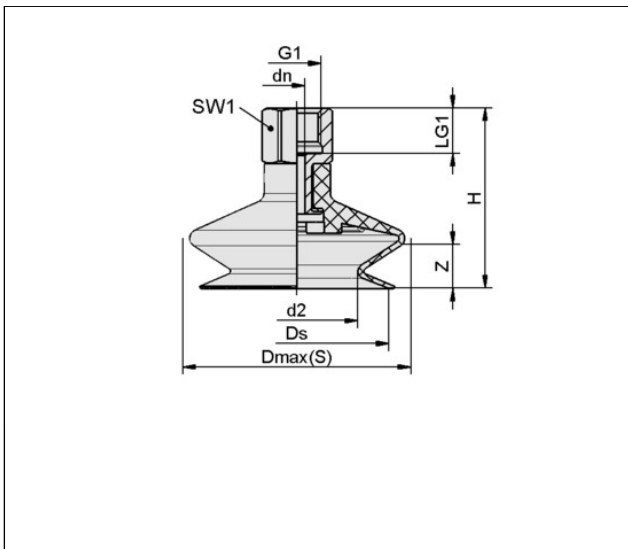
Home > Vacuum Technology for Automation > Vacuum Components > Vacuum Suction Cups > Bellows Suction Cups (Round) > Bellows Suction Cups FSGA (1.5 Folds) > FSGA 53 SI-55 G1/4-IG

Bellows suction cup (round) with optimal adaptation to uneven surfaces



Size: 53
 Suction cup material: Silicone SI
 Material hardness [Shore A]: 55 Shore A
 Nipple material: Aluminum
 Connection: G1/4"-F
 Number of folds: 1.5
 Vacuum connection: G1/4"-F

Design Data



Attribute	Value
d2	33 mm
Dmax(S)	60 mm
dn	4.40 mm
Ds	50 mm
G1	G1/4"-F
H	49 mm
LG1	12 mm
SW1	17 mm
Z (Stroke)	12 mm

Technical Data

Attribute	Value
-----------	-------

Bellows suction cup (round)

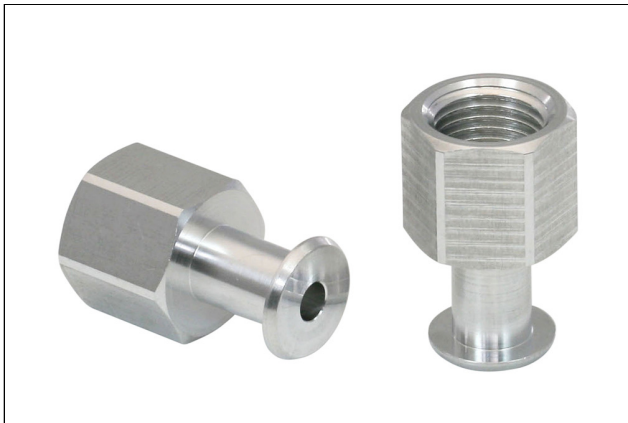
FSGA 53 SI-55 G1/4-IG

Part no...:10.01.06.00073

<https://www.schmalz.com/10.01.06.00073>

Suction cup material	Silicone SI
Material hardness [Shore A]	55 Shore A
Size	53
Number of folds	1.50
Connection	G1/4-IG
Curve radius (min) (convex)	100 mm
Volume	26.49 cm ³
Suction force (-600mbar)	51.30 N
Pull-off force	95 N
Hose diameter (empf.) d	6 mm
Weight	27 g
Product family	FSGA

Spare parts



SA-NIP N018 G1/4-IG DN440

Part no...:10.01.06.01066

Nipple family: N 018

Thread G1: G1/4"-F

Length L1: 28.8 mm

Fitting length: 15 mm

Nominal diameter dn: 4.4 mm

Spanner size SW2: 5 mm

Material: Aluminum

Bellows suction cup (round)

FSGA 53 SI-55 G1/4-IG

Part no.:10.01.06.00073

<https://www.schmalz.com/10.01.06.00073>



FGA 53 SI-55 N018

Part no.:10.01.06.00128

Size: 53

Suction cup material: Silicone SI

Material hardness [Shore A]: 55 Shore A

Number of folds: 1.5