

## Bellows suction cup (round)

FSGA 11 NBR-55 M5-AG

Part no.:10.01.06.00076

<https://www.schmalz.com/10.01.06.00076>

Home > Vacuum Technology for Automation > Vacuum Components > Vacuum Suction Cups > Bellows Suction Cups (Round) > Bellows Suction Cups FSGA (1.5 Folds) > FSGA 11 NBR-55 M5-AG

### Bellows suction cup (round) with optimal adaptation to uneven surfaces



Size: 11

Suction cup material: Nitrile rubber NBR

Material hardness [Shore A]: 55 Shore A

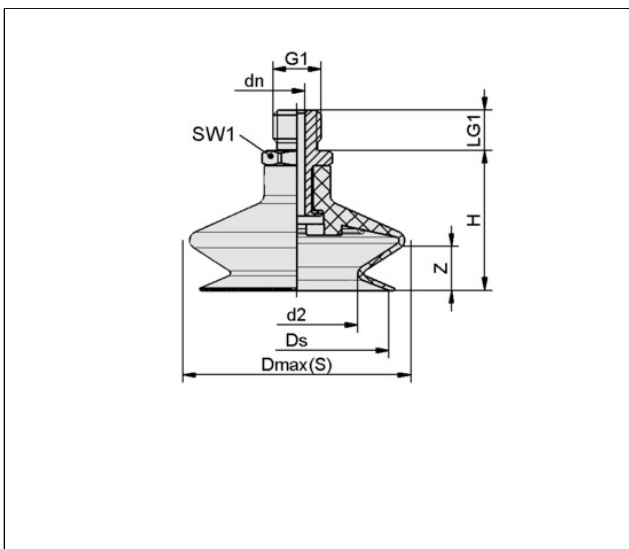
Nipple material: Aluminum

Connection: M5-M

Number of folds: 1.5

Vacuum connection: M5-M

### Design Data



Attribute	Value
d2	5.10 mm
Dmax(S)	13 mm
dn	2.50 mm
Ds	10.40 mm
G1	M5-M
H	21 mm
LG1	5 mm
SW1	7 mm
Z (Stroke)	4 mm

### Technical Data

Attribute

Value

[Contact Schmalz](#)

J. Schmalz GmbH | Johannes-Schmalz-Str.1, D-72293 Glatten | +49 7443 2403-102 | [customercenter@schmalz.de](mailto:customercenter@schmalz.de)

## Bellows suction cup (round)

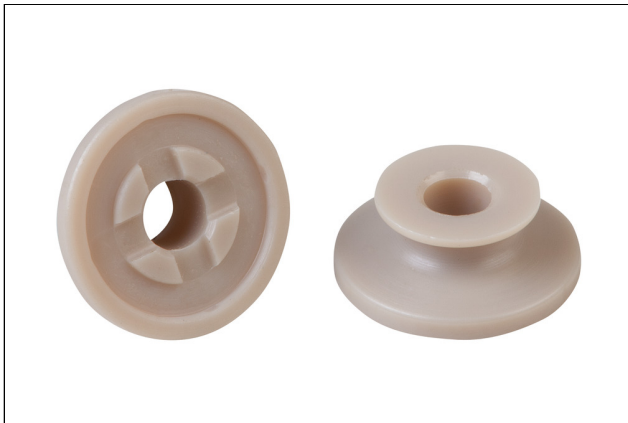
FSGA 11 NBR-55 M5-AG

Part no.:10.01.06.00076

<https://www.schmalz.com/10.01.06.00076>

Suction cup material	Nitrile rubber NBR
Material hardness [Shore A]	55 Shore A
Size	11
Number of folds	1.50
Connection	M5-AG
Curve radius (min) (convex)	10 mm
Volume	0.23 cm <sup>3</sup>
Suction force (-600mbar)	0.95 N
Pull-off force	3.80 N
Hose diameter (empf.) d	2 mm
Weight	2 g
Product family	FSGA

### Accessories



#### SPI 11 PEEK

Part no.:10.01.06.03281

Size: 11

Material: Polyetheretherketon

### Spare parts

## Bellows suction cup (round)

FSGA 11 NBR-55 M5-AG

Part no.:10.01.06.00076

<https://www.schmalz.com/10.01.06.00076>



### SA-NIP N016 M5-AG DN250

Part no.:10.01.06.00123

Nipple family: N 016

Thread G1: M5-M

Length L1: 16 mm

Fitting length: 5 mm

Nominal diameter dn: 2.5 mm

Material: Aluminum



### FGA 11 NBR-55 N016

Part no.:10.01.06.00095

Size: 11

Suction cup material: Nitrile rubber NBR

Material hardness [Shore A]: 55 Shore A

Number of folds: 1.5