

Bellows suction cup (round)

FSGA 16 NBR-55 G1/8-AG

Part no.:10.01.06.00077

<https://www.schmalz.com/10.01.06.00077>

Home > Vacuum Technology for Automation > Vacuum Components > Vacuum Suction Cups > Bellows Suction Cups (Round) > Bellows Suction Cups FSGA (1.5 Folds) > FSGA 16 NBR-55 G1/8-AG

Bellows suction cup (round) with optimal adaptation to uneven surfaces



Size: 16

Suction cup material: Nitrile rubber NBR

Material hardness [Shore A]: 55 Shore A

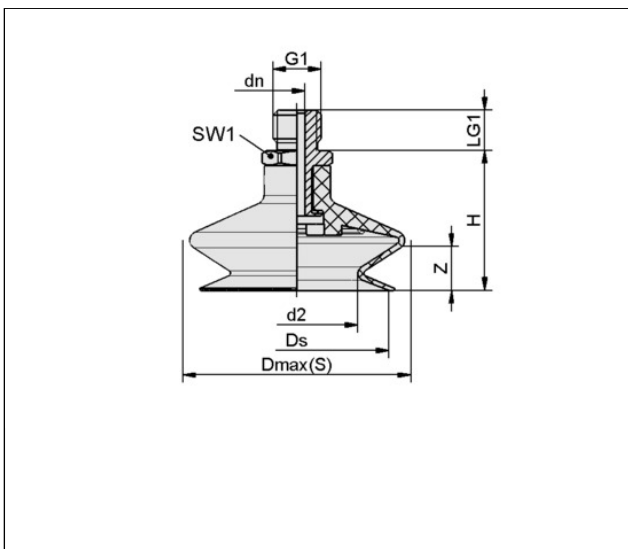
Nipple material: Aluminum

Connection: G1/8"-M

Number of folds: 1.5

Vacuum connection: G1/8"-M

Design Data



Attribute	Value
d2	8.40 mm
Dmax(S)	18.50 mm
dn	3.50 mm
Ds	15.60 mm
G1	G1/8"-M
H	25.20 mm
LG1	7.50 mm
SW1	14 mm
Z (Stroke)	7 mm

Technical Data

Attribute	Value
-----------	-------

Contact Schmalz

J. Schmalz GmbH | Johannes-Schmalz-Str.1, D-72293 Glatten | +49 7443 2403-102 | customercenter@schmalz.de

Bellows suction cup (round)

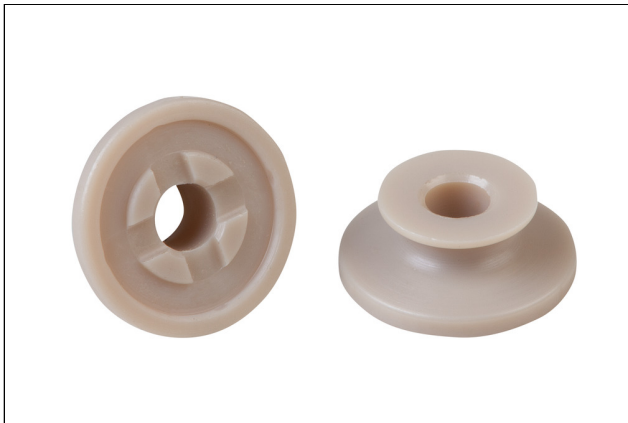
FSGA 16 NBR-55 G1/8-AG

Part no.:10.01.06.00077

<https://www.schmalz.com/10.01.06.00077>

Suction cup material	Nitrile rubber NBR
Material hardness [Shore A]	55 Shore A
Size	16
Number of folds	1.50
Connection	G1/8-AG
Curve radius (min) (convex)	20 mm
Volume	0.75 cm ³
Suction force (-600mbar)	2.30 N
Pull-off force	6.70 N
Hose diameter (empf.) d	4 mm
Weight	5 g
Product family	FSGA

Accessories



SPI 14 PEEK

Part no.:10.01.06.03282

Size: 14

Material: Polyetheretherketon

Spare parts

Contact Schmalz

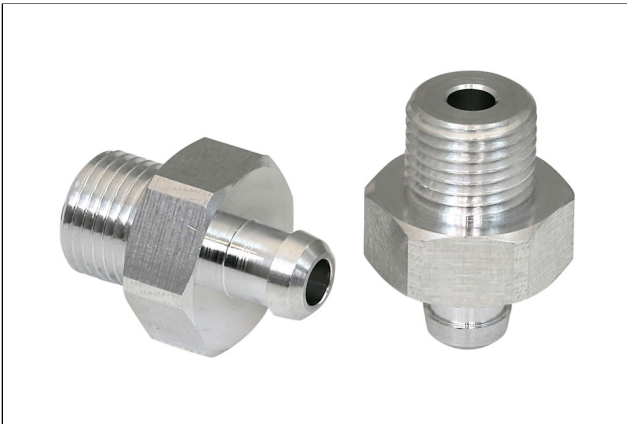
J. Schmalz GmbH | Johannes-Schmalz-Str.1, D-72293 Glatten | +49 7443 2403-102 | customercenter@schmalz.de

Bellows suction cup (round)

FSGA 16 NBR-55 G1/8-AG

Part no.:10.01.06.00077

<https://www.schmalz.com/10.01.06.00077>



SA-NIP N016 G1/8-AG DN350

Part no.:10.01.06.05735

Nipple family: N 016

Thread G1: G1/8"-M

Length L1: 20 mm

Fitting length: 6 mm

Nominal diameter dn: 3.5 mm

Material: Aluminum



FGA 16 NBR-55 N016

Part no.:10.01.06.00096

Size: 16

Suction cup material: Nitrile rubber NBR

Material hardness [Shore A]: 55 Shore A

Number of folds: 1.5