

Bellows suction cup (round)

FSGA 33 SI-55 G1/4-AG

Part no.:10.01.06.00091

<https://www.schmalz.com/10.01.06.00091>

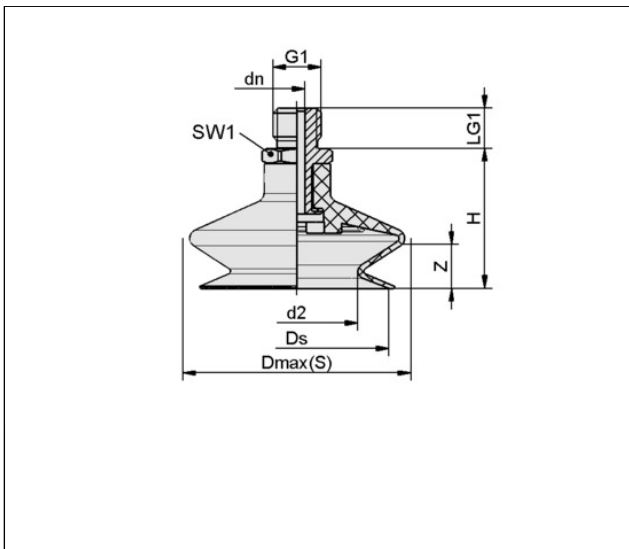
Home > Vacuum Technology for Automation > Vacuum Components > Vacuum Suction Cups > Bellows Suction Cups (Round) > Bellows Suction Cups FSGA (1.5 Folds) > FSGA 33 SI-55 G1/4-AG

Bellows suction cup (round) with optimal adaptation to uneven surfaces



Size: 33
 Suction cup material: Silicone SI
 Material hardness [Shore A]: 55 Shore A
 Nipple material: Aluminum
 Connection: G1/4"-M
 Number of folds: 1.5
 Vacuum connection: G1/4"-M

Design Data



Attribute	Value
d2	17 mm
Dmax(S)	38 mm
dn	4.40 mm
Ds	30 mm
G1	G1/4"-M
H	31 mm
LG1	11 mm
SW1	17 mm
Z (Stroke)	9 mm

Technical Data

Attribute	Value
-----------	-------

Contact Schmalz

Schmalz Australia Pty Ltd | 25 Turbo Drive, Bayswater North, VIC, 3153 Melbourne, Australia | +61 3 9215 8800 | schmalz@schmalz.com.au

Bellows suction cup (round)

FSGA 33 SI-55 G1/4-AG

Part no.:10.01.06.00091

<https://www.schmalz.com/10.01.06.00091>

Suction cup material	Silicone SI
Material hardness [Shore A]	55 Shore A
Size	33
Number of folds	1.50
Connection	G1/4-AG
Curve radius (min) (convex)	40 mm
Volume	4.75 cm ³
Suction force (-600mbar)	13.60 N
Pull-off force	39.60 N
Hose diameter (empf.) d	6 mm
Weight	16 g
Product family	FSGA

Accessories



SPI 32 PEEK

Réf. article.:10.01.06.03287

Size: 32

Material: Polyetheretherketon

Pièces de rechange

Bellows suction cup (round)

FSGA 33 SI-55 G1/4-AG

Part no.:10.01.06.00091

<https://www.schmalz.com/10.01.06.00091>



SA-NIP N018 G1/4-AG DN440

Réf. article.:10.01.06.01065

Nipple family: N 018

Thread G1: G1/4"-M

Length L1: 28.8 mm

Fitting length: 4 mm

Nominal diameter dn: 4.4 mm

Spanner size SW2: 5 mm

Material: Aluminum



FGA 33 SI-55 N018

Réf. article.:10.01.06.00126

Size: 33

Suction cup material: Silicone SI

Material hardness [Shore A]: 55 Shore A

Number of folds: 1.5