

# Bellows suction cup (round)

FSGA 43 SI-55 G1/4-AG

Part no.:10.01.06.00092

<https://www.schmalz.com/10.01.06.00092>

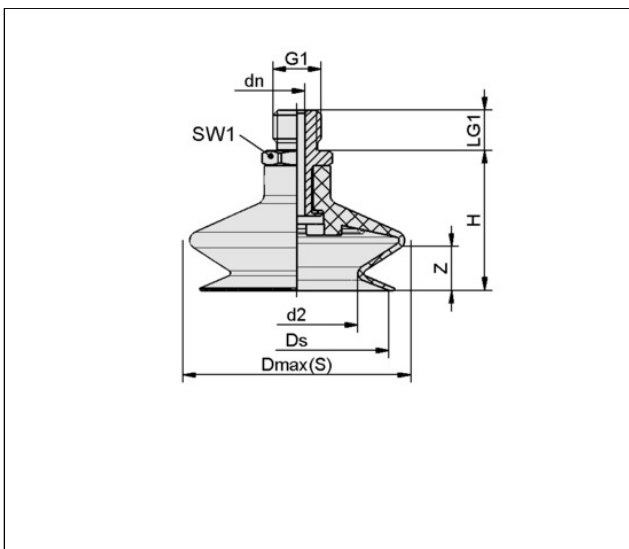
Home > Vacuum Technology for Automation > Vacuum Components > Vacuum Suction Cups > Bellows Suction Cups (Round) > Bellows Suction Cups FSGA (1.5 Folds) > FSGA 43 SI-55 G1/4-AG

## Bellows suction cup (round) with optimal adaptation to uneven surfaces



Size: 43  
 Suction cup material: Silicone SI  
 Material hardness [Shore A]: 55 Shore A  
 Nipple material: Aluminum  
 Connection: G1/4"-M  
 Number of folds: 1.5  
 Vacuum connection: G1/4"-M

### Design Data



Attribute	Value
d2	21.90 mm
Dmax(S)	47.50 mm
dn	4.40 mm
Ds	38 mm
G1	G1/4"-M
H	31.60 mm
LG1	11 mm
SW1	17 mm
Z (Stroke)	10 mm

### Technical Data

Attribute	Value
-----------	-------

## Bellows suction cup (round)

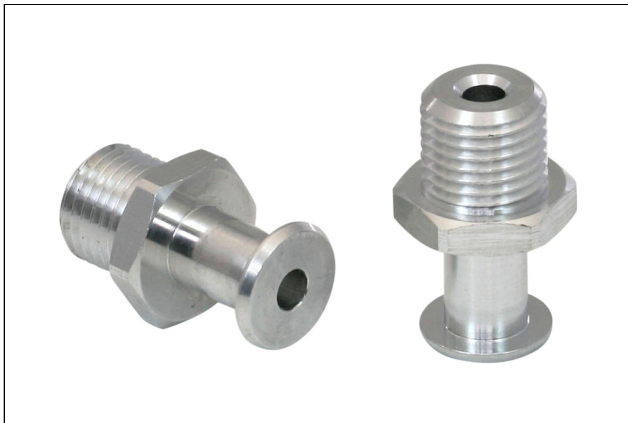
FSGA 43 SI-55 G1/4-AG

Part no.:10.01.06.00092

<https://www.schmalz.com/10.01.06.00092>

Suction cup material	Silicone SI
Material hardness [Shore A]	55 Shore A
Size	43
Number of folds	1.50
Connection	G1/4-AG
Curve radius (min) (convex)	60 mm
Volume	9.25 cm <sup>3</sup>
Suction force (-600mbar)	22.80 N
Pull-off force	64.50 N
Hose diameter (empf.) d	6 mm
Weight	19 g
Product family	FSGA

### Spare parts



#### SA-NIP N018 G1/4-AG DN440

Part no.:10.01.06.01065

Nipple family: N 018

Thread G1: G1/4"-M

Length L1: 28.8 mm

Fitting length: 4 mm

Nominal diameter dn: 4.4 mm

Spanner size SW2: 5 mm

Material: Aluminum

## Bellows suction cup (round)

FSGA 43 SI-55 G1/4-AG

Part no.:10.01.06.00092

<https://www.schmalz.com/10.01.06.00092>



### **FGA 43 SI-55 N018**

Part no.:10.01.06.00127

Size: 43

Suction cup material: Silicone SI

Material hardness [Shore A]: 55 Shore A

Number of folds: 1.5