

Bellows suction cup (round)

FSGA 20 NBR-55 M5-AG

Part no.:10.01.06.00388

<https://www.schmalz.com/10.01.06.00388>

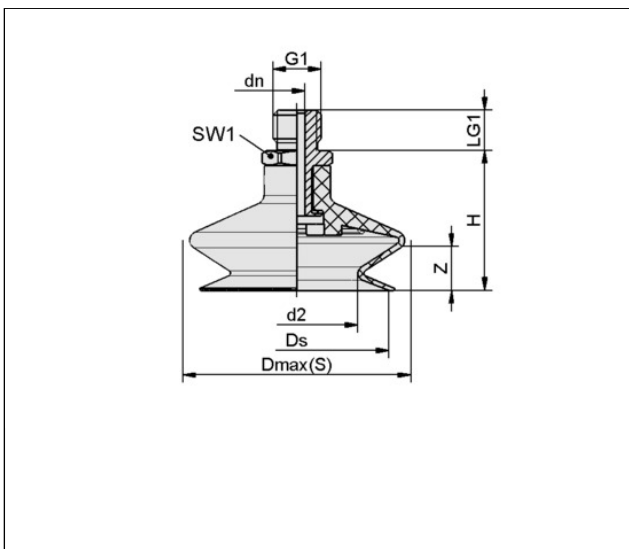
Home > Vacuum Technology for Automation > Vacuum Components > Vacuum Suction Cups > Bellows Suction Cups (Round) > Bellows Suction Cups FSGA (1.5 Folds) > FSGA 20 NBR-55 M5-AG

Bellows suction cup (round) with optimal adaptation to uneven surfaces



Size: 20
 Suction cup material: Nitrile rubber NBR
 Material hardness [Shore A]: 55 Shore A
 Nipple material: Aluminum
 Connection: M5-M
 Number of folds: 1.5
 Vacuum connection: M5-M

Design Data



Attribute	Value
d2	11 mm
Dmax(S)	21 mm
dn	2.50 mm
Ds	18.10 mm
G1	M5-M
H	20.20 mm
LG1	5 mm
SW1	7 mm
Z (Stroke)	5 mm

Technical Data

Attribute	Value
-----------	-------

Contact Schmalz

J. Schmalz GmbH | Johannes-Schmalz-Str.1, DE-72293 Glatten | +49 7443 2403-105 | kundencenter@schmalz.de

Bellows suction cup (round)

FSGA 20 NBR-55 M5-AG

Part no...:10.01.06.00388

<https://www.schmalz.com/10.01.06.00388>

Suction cup material	Nitrile rubber NBR
Material hardness [Shore A]	55 Shore A
Size	20
Number of folds	1.50
Connection	M5-AG
Curve radius (min) (convex)	20 mm
Volume	1.15 cm ³
Suction force (-600mbar)	4.70 N
Pull-off force	10.70 N
Hose diameter (empf.) d	2 mm
Weight	2.70 g
Product family	FSGA

Accessories



SPI 18 PEEK

Part no...:10.01.06.03284

Size: 18

Material: Polyetheretherketon

Spare parts

Contact Schmalz

J. Schmalz GmbH | Johannes-Schmalz-Str.1, DE-72293 Glatten | +49 7443 2403-105 | kundencenter@schmalz.de

Bellows suction cup (round)

FSGA 20 NBR-55 M5-AG

Part no.:10.01.06.00388

<https://www.schmalz.com/10.01.06.00388>



SA-NIP N016 M5-AG DN250

Part no.:10.01.06.00123

Nipple family: N 016

Thread G1: M5-M

Length L1: 16 mm

Fitting length: 5 mm

Nominal diameter dn: 2.5 mm

Material: Aluminum



FGA 20 NBR-55 N016

Part no.:10.01.06.00373

Size: 20

Suction cup material: Nitrile rubber NBR

Material hardness [Shore A]: 55 Shore A

Number of folds: 1.5