

Bellows suction cup (round)

FSGA 20 NBR-55 G1/8-AG

Part no.:10.01.06.00390

<https://www.schmalz.com/10.01.06.00390>

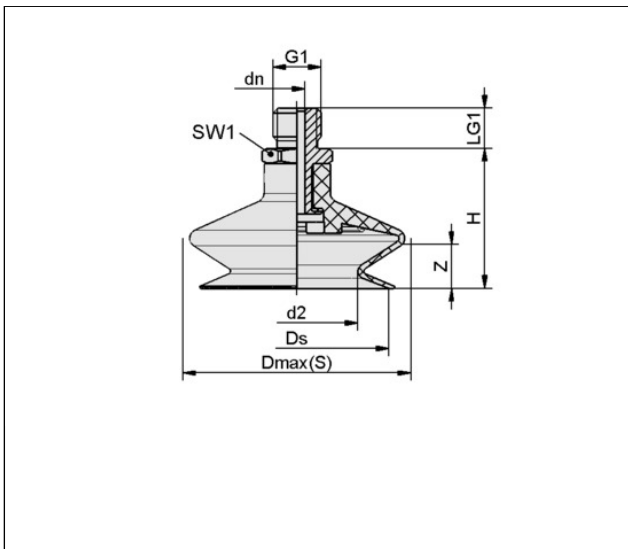
Home > Vacuum Technology for Automation > Vacuum Components > Vacuum Suction Cups > Bellows Suction Cups (Round) > Bellows Suction Cups FSGA (1.5 Folds) > FSGA 20 NBR-55 G1/8-AG

Bellows suction cup (round) with optimal adaptation to uneven surfaces



Size: 20
 Suction cup material: Nitrile rubber NBR
 Material hardness [Shore A]: 55 Shore A
 Nipple material: Aluminum
 Connection: G1/8"-M
 Number of folds: 1.5
 Vacuum connection: G1/8"-M

Design Data



Attribute	Value
d2	11 mm
Dmax(S)	21 mm
dn	3.50 mm
Ds	18.10 mm
G1	G1/8"-M
H	21.20 mm
LG1	7.50 mm
SW1	14 mm
Z (Stroke)	5 mm

Technical Data

Attribute	Value
-----------	-------

Bellows suction cup (round)

FSGA 20 NBR-55 G1/8-AG

Part no.:10.01.06.00390

<https://www.schmalz.com/10.01.06.00390>

Suction cup material	Nitrile rubber NBR
Material hardness [Shore A]	55 Shore A
Size	20
Number of folds	1.50
Connection	G1/8-AG
Curve radius (min) (convex)	20 mm
Volume	1.15 cm ³
Suction force (-600mbar)	4.70 N
Pull-off force	10.70 N
Hose diameter (empf.) d	4 mm
Weight	5.10 g
Product family	FSGA

Accessories



SPI 18 PEEK

Part no.:10.01.06.03284

Size: 18

Material: Polyetheretherketon

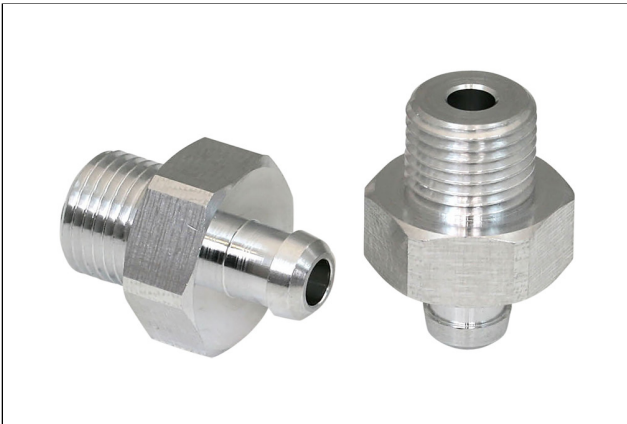
Spare parts

Bellows suction cup (round)

FSGA 20 NBR-55 G1/8-AG

Part no.:10.01.06.00390

<https://www.schmalz.com/10.01.06.00390>



SA-NIP N016 G1/8-AG DN350

Part no.:10.01.06.05735

Nipple family: N 016

Thread G1: G1/8"-M

Length L1: 20 mm

Fitting length: 6 mm

Nominal diameter dn: 3.5 mm

Material: Aluminum



FGA 20 NBR-55 N016

Part no.:10.01.06.00373

Size: 20

Suction cup material: Nitrile rubber NBR

Material hardness [Shore A]: 55 Shore A

Number of folds: 1.5