

Bellows suction cup (round)

FSGA 25 SI-55 G1/8-IG

Part no.:10.01.06.00401

<https://www.schmalz.com/10.01.06.00401>

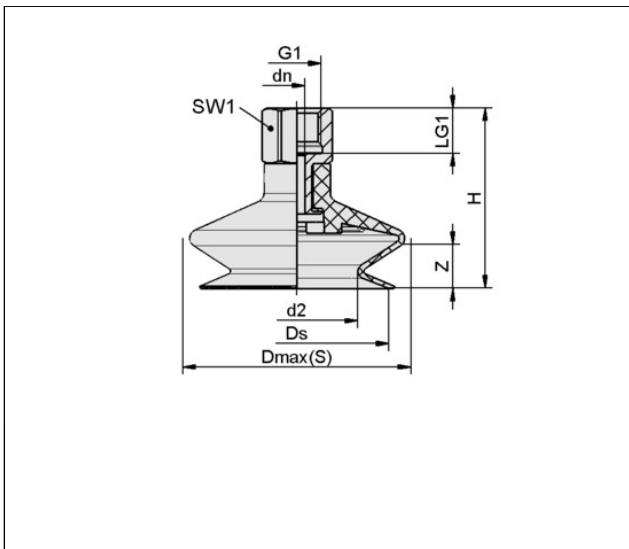
Home > Vacuum Technology for Automation > Vacuum Components > Vacuum Suction Cups > Bellows Suction Cups (Round) > Bellows Suction Cups FSGA (1.5 Folds) > FSGA 25 SI-55 G1/8-IG

Bellows suction cup (round) with optimal adaptation to uneven surfaces



Size: 25
 Suction cup material: Silicone SI
 Material hardness [Shore A]: 55 Shore A
 Nipple material: Aluminum
 Connection: G1/8"-F
 Number of folds: 1.5
 Vacuum connection: G1/8"-F

Design Data



Attribute	Value
d2	9.90 mm
Dmax(S)	26.50 mm
dn	3.50 mm
Ds	22.50 mm
G1	G1/8"-F
H	35 mm
LG1	8 mm
SW1	14 mm
Z (Stroke)	9 mm

Technical Data

Attribute	Value
-----------	-------

Bellows suction cup (round)

FSGA 25 SI-55 G1/8-IG

Part no...:10.01.06.00401

<https://www.schmalz.com/10.01.06.00401>

Suction cup material	Silicone SI
Material hardness [Shore A]	55 Shore A
Size	25
Number of folds	1.50
Connection	G1/8-IG
Curve radius (min) (convex)	25 mm
Volume	2.94 cm ³
Suction force (-600mbar)	5.30 N
Pull-off force	17.30 N
Hose diameter (empf.) d	4 mm
Weight	6.80 g
Product family	FSGA

Spare parts



SA-NIP N016 G1/8-IG DN350

Part no...:10.01.06.05731

Nipple family: N 016

Thread G1: G1/8"-F

Length L1: 18.5 mm

Fitting length: 12 mm

Nominal diameter dn: 3.5 mm

Material: Aluminum

Bellows suction cup (round)

FSGA 25 SI-55 G1/8-IG

Part no.:10.01.06.00401

<https://www.schmalz.com/10.01.06.00401>



FGA 25 SI-55 N016

Part no.:10.01.06.00377

Size: 25

Suction cup material: Silicone SI

Material hardness [Shore A]: 55 Shore A

Number of folds: 1.5