

Bellows suction cup (round)

FSGA 25 HT1-60 G1/8-AG

Part no.:10.01.06.00940

<https://www.schmalz.com/10.01.06.00940>

Home > Vacuum Technology for Automation > Vacuum Components > Vacuum Suction Cups > Bellows Suction Cups (Round) > Bellows Suction Cups FSGA (1.5 Folds) > FSGA 25 HT1-60 G1/8-AG

Bellows suction cup (round) with optimal adaptation to uneven surfaces



Size: 25

Suction cup material: High temp material HT1

Material hardness [Shore A]: 60 Shore A

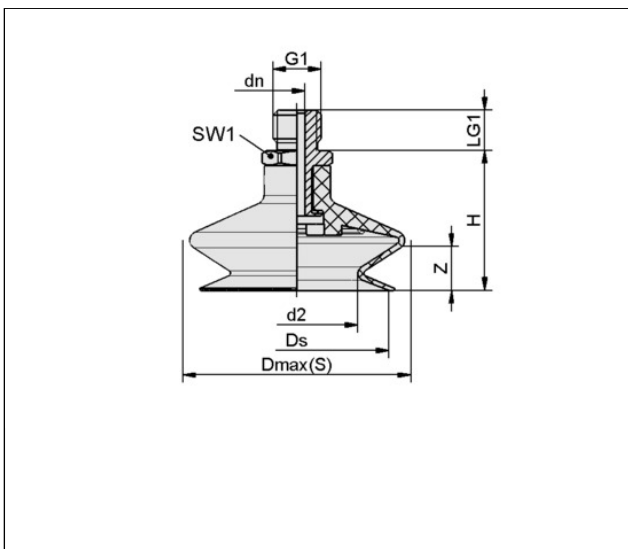
Nipple material: Aluminum

Connection: G1/8"-M

Number of folds: 1.5

Vacuum connection: G1/8"-M

Design Data



Attribute	Value
d2	9.90 mm
Dmax(S)	26.50 mm
dn	3.50 mm
Ds	22.50 mm
G1	G1/8"-M
H	29 mm
LG1	7.50 mm
SW1	14 mm
Z (Stroke)	9 mm

Technical Data

Attribute	Value
-----------	-------

Contact Schmalz

J. Schmalz GmbH | Johannes-Schmalz-Str.1, DE-72293 Glatten | +49 7443 2403-105 | kundencenter@schmalz.de

Bellows suction cup (round)

FSGA 25 HT1-60 G1/8-AG

Part no.:10.01.06.00940

<https://www.schmalz.com/10.01.06.00940>

Suction cup material	High temp material HT1
Material hardness [Shore A]	60 Shore A
Size	25
Number of folds	1.50
Connection	G1/8-AG
Curve radius (min) (convex)	25 mm
Volume	3.15 cm ³
Suction force (-600mbar)	5.30 N
Pull-off force	17.30 N
Hose diameter (empf.) d	4 mm
Weight	6.40 g
Product family	FSGA

Accessories



SPI 25 PEEK

Part no.:10.01.06.03286

Size: 25

Material: Polyetheretherketon

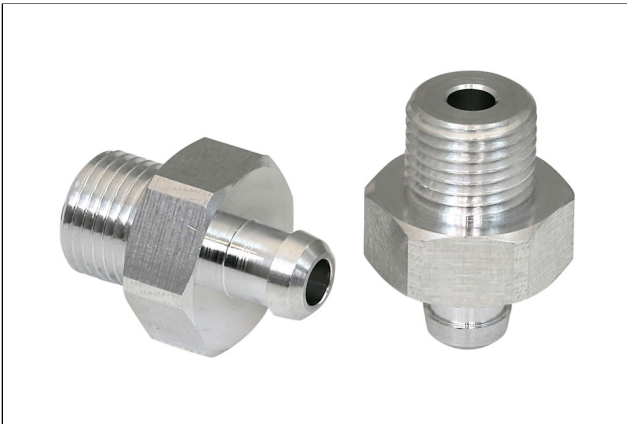
Spare parts

Bellows suction cup (round)

FSGA 25 HT1-60 G1/8-AG

Part no.:10.01.06.00940

<https://www.schmalz.com/10.01.06.00940>



SA-NIP N016 G1/8-AG DN350

Part no.:10.01.06.05735

Nipple family: N 016

Thread G1: G1/8"-M

Length L1: 20 mm

Fitting length: 6 mm

Nominal diameter dn: 3.5 mm

Material: Aluminum



FGA 25 HT1-60 N016

Part no.:10.01.06.00872

Size: 25

Suction cup material: High temp material HT1

Material hardness [Shore A]: 60 Shore A

Number of folds: 1.5