

## Bellows suction cup (round)

FSGA 33 HT1-60 G1/4-AG

Part no.:10.01.06.00941

<https://www.schmalz.com/10.01.06.00941>

Home > Vacuum Technology for Automation > Vacuum Components > Vacuum Suction Cups > Bellows Suction Cups (Round) > Bellows Suction Cups FSGA (1.5 Folds) > FSGA 33 HT1-60 G1/4-AG

### Bellows suction cup (round) with optimal adaptation to uneven surfaces



Size: 33

Suction cup material: High temp material HT1

Material hardness [Shore A]: 60 Shore A

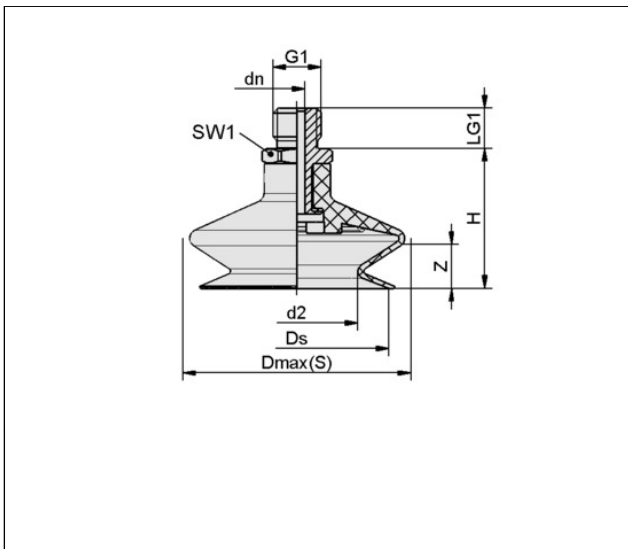
Nipple material: Aluminum

Connection: G1/4"-M

Number of folds: 1.5

Vacuum connection: G1/4"-M

### Design Data



Attribute	Value
d2	17 mm
Dmax(S)	38 mm
dn	4.40 mm
Ds	30 mm
G1	G1/4"-M
H	31 mm
LG1	11 mm
SW1	17 mm
Z (Stroke)	9 mm

### Technical Data

Attribute

Value

Contact Schmalz

J. Schmalz GmbH | Johannes-Schmalz-Str.1, DE-72293 Glatten | +49 7443 2403-105 | [kundencenter@schmalz.de](mailto:kundencenter@schmalz.de)

## Bellows suction cup (round)

FSGA 33 HT1-60 G1/4-AG

Part no.:10.01.06.00941

<https://www.schmalz.com/10.01.06.00941>

Suction cup material	High temp material HT1
Material hardness [Shore A]	60 Shore A
Size	33
Number of folds	1.50
Connection	G1/4-AG
Curve radius (min) (convex)	40 mm
Volume	4.75 cm <sup>3</sup>
Suction force (-600mbar)	13.60 N
Pull-off force	39.60 N
Hose diameter (empf.) d	6 mm
Weight	16 g
Product family	FSGA

### Accessories



#### SPI 32 PEEK

Part no.:10.01.06.03287

Size: 32

Material: Polyetheretherketon

### Spare parts

#### Contact Schmalz

J. Schmalz GmbH | Johannes-Schmalz-Str.1, DE-72293 Glatten | +49 7443 2403-105 | [kundencenter@schmalz.de](mailto:kundencenter@schmalz.de)

## Bellows suction cup (round)

FSGA 33 HT1-60 G1/4-AG

Part no.:10.01.06.00941

<https://www.schmalz.com/10.01.06.00941>



### SA-NIP N018 G1/4-AG DN440

Part no.:10.01.06.01065

Nipple family: N 018

Thread G1: G1/4"-M

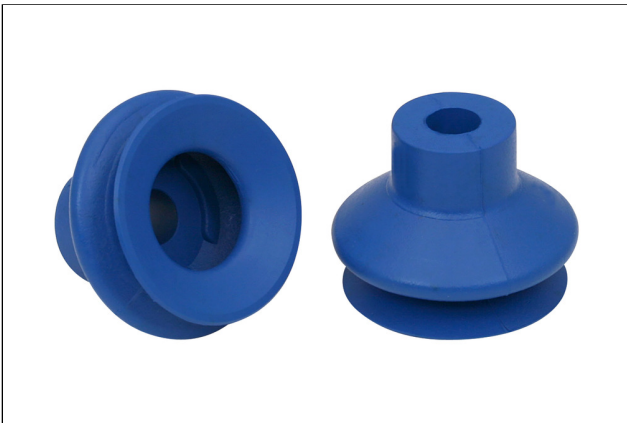
Length L1: 28.8 mm

Fitting length: 4 mm

Nominal diameter dn: 4.4 mm

Spanner size SW2: 5 mm

Material: Aluminum



### FGA 33 HT1-60 N018

Part no.:10.01.06.00873

Size: 33

Suction cup material: High temp material HT1

Material hardness [Shore A]: 60 Shore A

Number of folds: 1.5