

## Bellows suction cup (round)

FSGA 16 HT1-60 G1/8-AG

Part no...:10.01.06.01228

<https://www.schmalz.com/10.01.06.01228>

Home > Vacuum Technology for Automation > Vacuum Components > Vacuum Suction Cups > Bellows Suction Cups (Round) > Bellows Suction Cups FSGA (1.5 Folds) > FSGA 16 HT1-60 G1/8-AG

### Bellows suction cup (round) with optimal adaptation to uneven surfaces



Size: 16

Suction cup material: High temp material HT1

Material hardness [Shore A]: 60 Shore A

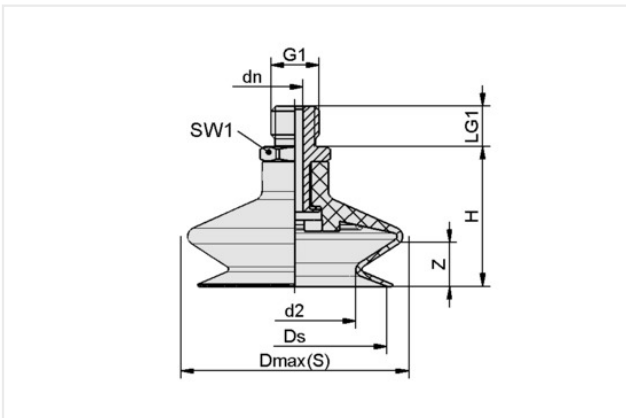
Nipple material: Aluminum

Connection: G1/8"-M

Number of folds: 1.5

Vacuum connection: G1/8"-M

### Design Data



Attribute	Value
d2	8.40 mm
Dmax(S)	18.50 mm
dn	3.50 mm
Ds	15.60 mm
G1	G1/8"-M
H	25.20 mm
LG1	7.50 mm
SW1	14 mm
Z (Stroke)	7 mm

### Technical Data

Attribute	Value
Suction cup material	High temp material HT1
Material hardness [Shore A]	60 Shore A
Size	16
Number of folds	1.50
Connection	G1/8-AG
Curve radius (min) (convex)	20 mm
Volume	0.75 cm <sup>3</sup>
Suction force (-600mbar)	2.30 N

### Contact Schmalz

Schmalz Australia Pty Ltd | 25 Turbo Drive, Bayswater North, VIC, 3153 Melbourne, Australia | +61 3 9215 8800 | [schmalz@schmalz.com.au](mailto:schmalz@schmalz.com.au)

## Bellows suction cup (round)

FSGA 16 HT1-60 G1/8-AG

Part no...:10.01.06.01228

<https://www.schmalz.com/10.01.06.01228>

Pull-off force	6.70 N
Hose diameter (empf.) d	4 mm
Weight	5 g
Product family	FSGA

### Accessories



#### SPI 17 PEEK

Part no...:10.01.06.03283

Size: 17

Material: Polyetheretherketon

### Spare parts



#### SA-NIP N016 G1/8-AG DN350

Part no...:10.01.06.05735

Nipple family: N 016

Thread G1: G1/8"-M

Length L1: 20 mm

Fitting length: 6 mm

Nominal diameter dn: 3.5 mm

Material: Aluminum

## Bellows suction cup (round)

FSGA 16 HT1-60 G1/8-AG

Part no...:10.01.06.01228

<https://www.schmalz.com/10.01.06.01228>



**FGA 16 HT1-60 N016**

Part no...:10.01.06.01248

Size: 16

Suction cup material: High temp material HT1

Material hardness [Shore A]: 60 Shore A

Number of folds: 1.5