

Bellows suction cup (round)

FSGA 6 HT1-60 M5-IG

Part no...:10.01.06.03000

<https://www.schmalz.com/10.01.06.03000>

Home > Vacuum Technology for Automation > Vacuum Components > Vacuum Suction Cups > Bellows Suction Cups (Round) > Bellows Suction Cups FSGA (1.5 Folds) > FSGA 6 HT1-60 M5-IG

Bellows suction cup (round) with optimal adaptation to uneven surfaces



Size: 6

Suction cup material: High temp material HT1

Material hardness [Shore A]: 60 Shore A

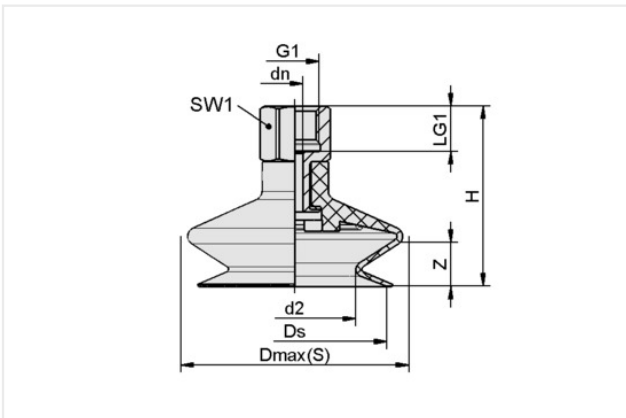
Nipple material: Aluminum

Connection: M5-F

Number of folds: 1.5

Vacuum connection: M5-F

Design Data



Attribute	Value
d2	3 mm
Dmax(S)	8 mm
dn	2 mm
Ds	5.70 mm
G1	M5-F
H	19 mm
LG1	5.50 mm
SW1	8 mm
Z (Stroke)	2 mm

Technical Data

Attribute	Value
Suction cup material	High temp material HT1
Material hardness [Shore A]	60 Shore A
Size	6
Number of folds	1.50
Connection	M5-IG
Curve radius (min) (convex)	4 mm
Volume	0.10 cm ³
Suction force (-600mbar)	0.40 N

Contact Schmalz

Schmalz Australia Pty Ltd | 25 Turbo Drive, Bayswater North, VIC, 3153 Melbourne, Australia | +61 3 9215 8800 | schmalz@schmalz.com.au

Bellows suction cup (round)

FSGA 6 HT1-60 M5-IG

Part no.:10.01.06.03000

<https://www.schmalz.com/10.01.06.03000>

Pull-off force	1.40 N
Hose diameter (empf.) d	4 mm
Weight	1.50 g
Product family	FSGA

Accessories



SPI 6 PEEK

Part no.:10.01.06.03279

Size: 6

Material: Polyetheretherketon

Spare parts



SA-NIP N004 M5-IG DN200

Part no.:10.01.01.03518

Thread G1: M5-F

Length L1: 14 mm

Fitting length: 10 mm

Material: Aluminum

Bellows suction cup (round)

FSGA 6 HT1-60 M5-IG

Part no...:10.01.06.03000

<https://www.schmalz.com/10.01.06.03000>



FGA 6 HT1-60 N004

Part no...:10.01.06.02603

Size: 6

Suction cup material: High temp material HT1

Material hardness [Shore A]: 60 Shore A

Number of folds: 1.5