

Bellows suction cup NBR (round)

SAB 125 NBR-60 G3/8-IG

Part no.:10.01.06.00680

<https://www.schmalz.com/10.01.06.00680>

Homepage > Vacuum Technology for Automation > Vacuum Components > Vacuum Suction Cups > Suction Cups for Handling Sheet Metal >

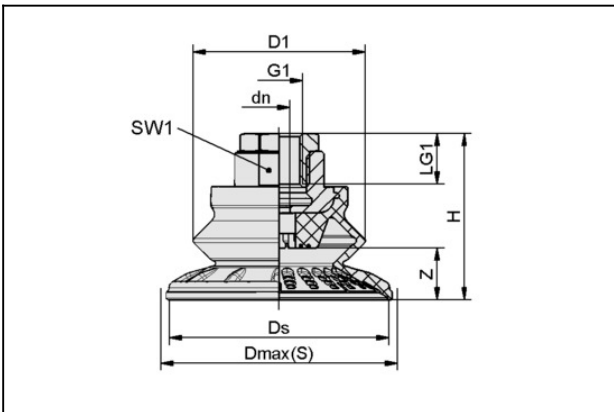
Bellows Suction Cups SAB (1.5 Folds) > SAB 125 NBR-60 G3/8-IG

Bellows suction cup (round) for very dynamic handling of smooth and oily workpieces



Size: 125
 Suction cup material:
 Nitrile rubber NBR
 Material hardness: 60 °Sh
 Vacuum connection: G3/8"-F
 Nipple material: Aluminium
 Number of folds: 1.5

Design Data



Attribute	Value
dn	9 mm
D1	94 mm
Dmax(S)	135 mm
Ds	126 mm
G1	G3/8"-F
H	67.8 mm
LG1	15 mm
SW1	22 mm
Z (Stroke)	32 mm

Bellows suction cup NBR (round)

SAB 125 NBR-60 G3/8-IG

Part no.:10.01.06.00680

<https://www.schmalz.com/10.01.06.00680>



Technical Data

Attribute	Value
Suction force (-600mbar)	250 N
Pull-off force	558 N
Lateral force	352 N
Lateral force (oily surface)	335 N
Volume	220 cm ³
Curve radius (min) (convex)	140 mm
Hose diameter (empf.) d	9 mm
Size	125
Suction cup material	Nitrile rubber NBR
Material hardness [Shore A]	60 Shore A
Weight	170.2 g
Product family	SAB
Number of folds	1.5

Note: Suction force: The specified suction forces are theoretical values at a vacuum of -0.6 bar and with a smooth, dry workpiece surface - they do not include a safety factor Lateral force: The specified lateral forces are values measured at a vacuum of -0.6 bar with a dry or oily, smooth, flat workpiece surface. Depending on the workpiece surface and its quality, the actual values may deviate from these values Hose diameter: The recommended hose diameter refers to a hose length of approx. 2 m

Contact to Schmalz

J. Schmalz GmbH | Johannes-Schmalz-Straße, 72293 Glatten, Deutschland | +49 7443 2403-102 | customercenter@schmalz.de