

## Bellows suction cup NBR (round)

### SAB 40 NBR-60 G1/4-AG

Part no.:10.01.06.00803

<https://www.schmalz.com/10.01.06.00803>

Homepage > Vacuum Technology for Automation > Vacuum Components > Vacuum Suction Cups > Suction Cups for Handling Sheet Metal >

Bellows Suction Cups SAB (1.5 Folds) > SAB 40 NBR-60 G1/4-AG

## Bellows suction cup (round) for very dynamic handling of smooth and oily workpieces



Size: 40

Suction cup material:

Nitrile rubber NBR

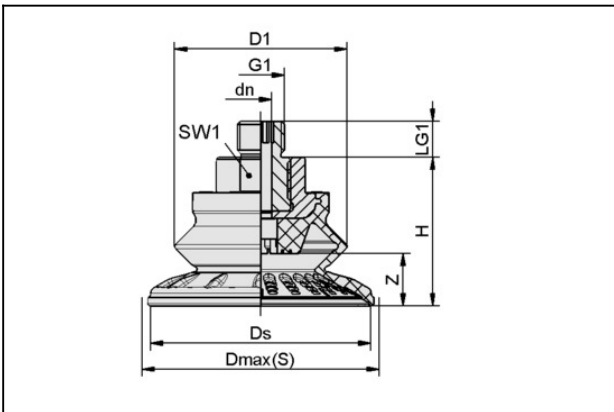
Material hardness: 60 °Sh

Vacuum connection: G1/4"-M

Nipple material: Aluminium

Number of folds: 1.5

## Design Data



Attribute	Value
dn	4 mm
D1	32 mm
Dmax(S)	45 mm
Ds	40.1 mm
G1	G1/4"-M
H	28.8 mm
LG1	10 mm
SW1	17 mm
Z (Stroke)	10 mm

# Bellows suction cup NBR (round)

## SAB 40 NBR-60 G1/4-AG

Part no.:10.01.06.00803

<https://www.schmalz.com/10.01.06.00803>



### Technical Data

Attribute	Value
Suction force (-600mbar)	38 N
Pull-off force	59 N
Lateral force	36 N
Lateral force (oily surface)	33 N
Volume	8.68 cm <sup>3</sup>
Curve radius (min) (convex)	40 mm
Hose diameter (empf.) d	4 mm
Size	40
Suction cup material	Nitrile rubber NBR
Material hardness [Shore A]	60 Shore A
Weight	19.6 g
Product family	SAB
Number of folds	1.5

Note: Suction force: The specified suction forces are theoretical values at a vacuum of -0.6 bar and with a smooth, dry workpiece surface - they do not include a safety factor Lateral force: The specified lateral forces are values measured at a vacuum of -0.6 bar with a dry or oily, smooth, flat workpiece surface. Depending on the workpiece surface and its quality, the actual values may deviate from these values Hose diameter: The recommended hose diameter refers to a hose length of approx. 2 m

---

#### Contact to Schmalz

J. Schmalz GmbH | Johannes-Schmalz-Straße, 72293 Glatten, Deutschland | +49 7443 2403-102 | [customercenter@schmalz.de](mailto:customercenter@schmalz.de)