

Bellows suction cup NBR (round)

SAB 100 NBR-60 G1/4-AG

Part no.:10.01.06.00807

<https://www.schmalz.com/10.01.06.00807>

Homepage > Vacuum Technology for Automation > Vacuum Components > Vacuum Suction Cups > Suction Cups for Handling Sheet Metal >

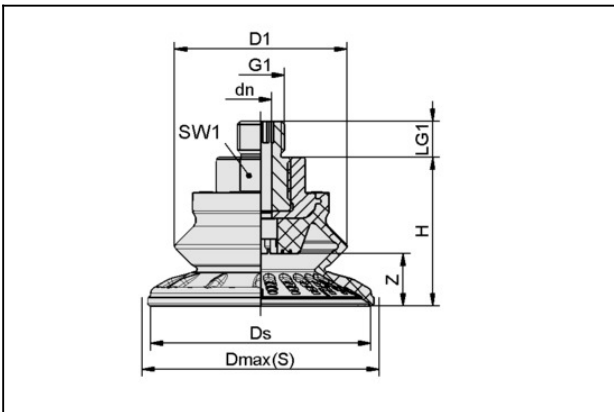
Bellows Suction Cups SAB (1.5 Folds) > SAB 100 NBR-60 G1/4-AG

Bellows suction cup (round) for very dynamic handling of smooth and oily workpieces



Size: 100
 Suction cup material:
 Nitrile rubber NBR
 Material hardness: 60 °Sh
 Vacuum connection: G1/4"-M
 Nipple material: Aluminium
 Number of folds: 1.5

Design Data



| Attribute | Value |
|------------|----------|
| dn | 6 mm |
| D1 | 77 mm |
| Dmax(S) | 110 mm |
| Ds | 100.8 mm |
| G1 | G1/4"-M |
| H | 56.6 mm |
| LG1 | 10 mm |
| SW1 | 22 mm |
| Z (Stroke) | 25.8 mm |

Bellows suction cup NBR (round)

SAB 100 NBR-60 G1/4-AG

Part no.:10.01.06.00807

<https://www.schmalz.com/10.01.06.00807>



Technical Data

| Attribute | Value |
|------------------------------|---------------------|
| Suction force (-600mbar) | 190 N |
| Pull-off force | 357 N |
| Lateral force | 220 N |
| Lateral force (oily surface) | 214 N |
| Volume | 115 cm ³ |
| Curve radius (min) (convex) | 90 mm |
| Hose diameter (empf.) d | 6 mm |
| Size | 100 |
| Suction cup material | Nitrile rubber NBR |
| Material hardness [Shore A] | 60 Shore A |
| Weight | 97.3 g |
| Product family | SAB |
| Number of folds | 1.5 |

Note: Suction force: The specified suction forces are theoretical values at a vacuum of -0.6 bar and with a smooth, dry workpiece surface - they do not include a safety factor Lateral force: The specified lateral forces are values measured at a vacuum of -0.6 bar with a dry or oily, smooth, flat workpiece surface. Depending on the workpiece surface and its quality, the actual values may deviate from these values Hose diameter: The recommended hose diameter refers to a hose length of approx. 2 m

Contact to Schmalz

J. Schmalz GmbH | Johannes-Schmalz-Straße, 72293 Glatten, Deutschland | +49 7443 2403-102 | customercenter@schmalz.de