

Bellows suction cup NBR (round)

SAB 60 NBR-60 G1/4-IG

Part no.:10.01.06.00852

<https://www.schmalz.com/10.01.06.00852>

Homepage > Vacuum Technology for Automation > Vacuum Components > Vacuum Suction Cups > Suction Cups for Handling Sheet Metal >

Bellows Suction Cups SAB (1.5 Folds) > SAB 60 NBR-60 G1/4-IG

Bellows suction cup (round) for very dynamic handling of smooth and oily workpieces



Size: 60

Suction cup material:

Nitrile rubber NBR

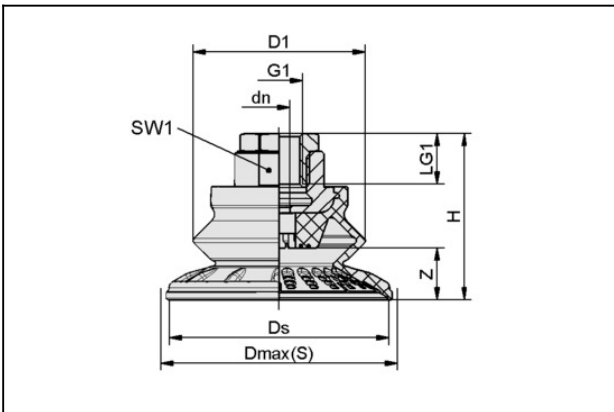
Material hardness: 60 °Sh

Vacuum connection: G1/4"-F

Nipple material: Brass, nickel-plated

Number of folds: 1.5

Design Data



Attribute	Value
dn	6 mm
D1	48 mm
Dmax(S)	67 mm
Ds	61.1 mm
G1	G1/4"-F
H	46.3 mm
LG1	20 mm
SW1	22 mm
Z (Stroke)	14.5 mm

Bellows suction cup NBR (round)

SAB 60 NBR-60 G1/4-IG

Part no.:10.01.06.00852

<https://www.schmalz.com/10.01.06.00852>



Technical Data

Attribute	Value
Suction force (-600mbar)	82 N
Pull-off force	130 N
Lateral force	82 N
Lateral force (oily surface)	77 N
Volume	28.8 cm ³
Curve radius (min) (convex)	65 mm
Hose diameter (empf.) d	6 mm
Size	60
Suction cup material	Nitrile rubber NBR
Material hardness [Shore A]	60 Shore A
Weight	52.9 g
Product family	SAB
Number of folds	1.5

Note: Suction force: The specified suction forces are theoretical values at a vacuum of -0.6 bar and with a smooth, dry workpiece surface - they do not include a safety factor Lateral force: The specified lateral forces are values measured at a vacuum of -0.6 bar with a dry or oily, smooth, flat workpiece surface. Depending on the workpiece surface and its quality, the actual values may deviate from these values Hose diameter: The recommended hose diameter refers to a hose length of approx. 2 m