

## Bellows suction cup NBR (round)

### SAB 22 NBR-60 G1/4-IG

Part no.:10.01.06.01533

<https://www.schmalz.com/10.01.06.01533>

Homepage > Vacuum Technology for Automation > Vacuum Components > Vacuum Suction Cups > Suction Cups for Handling Sheet Metal >

Bellows Suction Cups SAB (1.5 Folds) > SAB 22 NBR-60 G1/4-IG

## Bellows suction cup (round) for very dynamic handling of smooth and oily workpieces



Size: 22

Suction cup material:

Nitrile rubber NBR

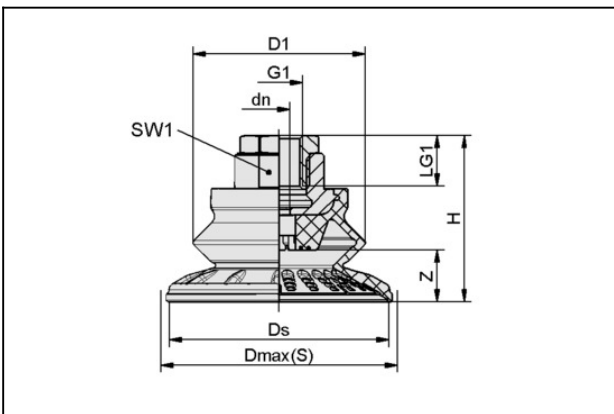
Material hardness: 60 °Sh

Vacuum connection: G1/4"-F

Nipple material: Aluminium

Number of folds: 1.5

## Design Data



Attribute	Value
dn	3.5 mm
D1	22 mm
Dmax(S)	24 mm
Ds	20.6 mm
G1	G1/4"-F
H	25 mm
LG1	12 mm
SW1	16 mm
Z (Stroke)	5.8 mm

# Bellows suction cup NBR (round)

## SAB 22 NBR-60 G1/4-IG

Part no.:10.01.06.01533

<https://www.schmalz.com/10.01.06.01533>



### Technical Data

Attribute	Value
Suction force (-600mbar)	16 N
Pull-off force	24 N
Lateral force	18 N
Lateral force (oily surface)	6 N
Volume	2.48 cm <sup>3</sup>
Curve radius (min) (convex)	20 mm
Hose diameter (empf.) d	4 mm
Size	22
Suction cup material	Nitrile rubber NBR
Material hardness [Shore A]	60.0 Shore A
Weight	12 g
Product family	SAB
Number of folds	1.5

Note: Suction force: The specified suction forces are theoretical values at a vacuum of -0.6 bar and with a smooth, dry workpiece surface - they do not include a safety factor Lateral force: The specified lateral forces are values measured at a vacuum of -0.6 bar with a dry or oily, smooth, flat workpiece surface. Depending on the workpiece surface and its quality, the actual values may deviate from these values Hose diameter: The recommended hose diameter refers to a hose length of approx. 2 m