

## Bell suction cup (round)

### SPB1 10 ED-65 M5-AG

Part no.:10.01.06.03489

<https://www.schmalz.com/10.01.06.03489>

Homepage > Vacuum Technology for Automation > Vacuum Components > Vacuum Suction Cups > Suction Cups for Packaging > Bellows

Suction Cups SPB1 (1.5 Folds) > SPB1 10 ED-65 M5-AG

## Bellows suction cup (round) for very uneven workpieces



Size: 10

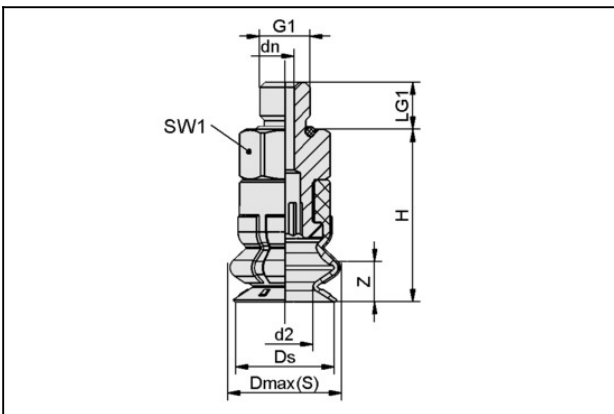
Suction cup material: Elastodur

Material hardness: 65 °Sh

Thread G1: M5-M

Number of folds: 1.5

## Design Data



| Attribute  | Value   |
|------------|---------|
| d2         | 5.6 mm  |
| dn         | 1.8 mm  |
| Dmax(S)    | 11.3 mm |
| Ds         | 9.8 mm  |
| G1         | M5-M    |
| H          | 17.1 mm |
| LG1        | 4.7 mm  |
| SW1        | 8 mm    |
| Z (Stroke) | 4 mm    |

## Technical Data

### Contact to Schmalz

J. Schmalz GmbH | Johannes-Schmalz-Straße, 72293 Glatten, Deutschland | +49 7443 2403-102 | [customercenter@schmalz.de](mailto:customercenter@schmalz.de)

# Bell suction cup (round)

## SPB1 10 ED-65 M5-AG

Part no.:10.01.06.03489

<https://www.schmalz.com/10.01.06.03489>



| Attribute                   | Value                 |
|-----------------------------|-----------------------|
| Suction force (-600mbar)    | 1.5 N                 |
| Pull-off force              | 4 N                   |
| Lateral force               | 2 N                   |
| Volume                      | 0.454 cm <sup>3</sup> |
| Curve radius (min) (convex) | 5 mm                  |
| Hose diameter (empf.) d     | 4 mm                  |
| Size                        | 10                    |
| Number of folds             | 1.5                   |
| Suction cup material        | Elastodur             |
| Material hardness [Shore A] | 65 Shore A            |
| Weight                      | 1.6 g                 |
| Product family              | SPB1                  |

### Spare Parts



#### SC 030 M5-AG

Part no.10.01.06.02802

Connection element for suction cup "SchmalzConnector"

Connection geometry: 030

Vacuum connection: M5-M

Overall length: 15.5 mm

Fitting length: 5 mm

Nominal diameter dn: 1.8 mm

## Bell suction cup (round)

SPB1 10 ED-65 M5-AG

Part no.:10.01.06.03489

<https://www.schmalz.com/10.01.06.03489>



### SPB1 10 ED-65 SC030

Part no.10.01.06.02782

Bellows suction cup (round) with 1.5 corr. for dynamic handling of cardboard and rigid packaging

Size: 10

Suction cup material: Elastodur

Material hardness: 65 °Sh

Number of folds: 1.5

## Accessories



### SPI 8 PA SPB1-10

Part no.10.01.06.03710

Suction cup insert for preventing deformation of sensitive workpieces

Size: 8

Material: Polyamide

Application: SPB1-10