

Bell suction cup (round)

SPB1 15 ED-65 G1/8-IG

Part no.:10.01.06.03491

<https://www.schmalz.com/10.01.06.03491>

Homepage > Vacuum Technology for Automation > Vacuum Components > Vacuum Suction Cups > Suction Cups for Packaging > Bellows

Suction Cups SPB1 (1.5 Folds) > SPB1 15 ED-65 G1/8-IG

Bellows suction cup (round) for very uneven workpieces



Size: 15

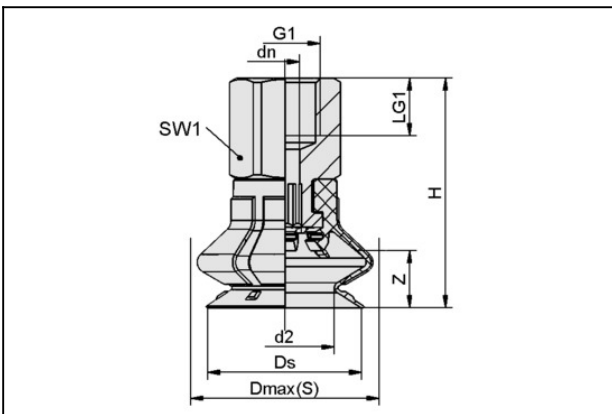
Suction cup material: Elastodur

Material hardness: 65 °Sh

Thread G1: G1/8"-F

Number of folds: 1.5

Design Data



| Attribute | Value |
|------------|---------|
| d2 | 9.5 mm |
| dn | 4.1 mm |
| Dmax(S) | 19.7 mm |
| Ds | 15.4 mm |
| G1 | G1/8"-F |
| H | 29 mm |
| LG1 | 8 mm |
| SW1 | 14 mm |
| Z (Stroke) | 6 mm |

Technical Data

Contact to Schmalz

J. Schmalz GmbH | Johannes-Schmalz-Straße, 72293 Glatten, Deutschland | +49 7443 2403-102 | customercenter@schmalz.de

Bell suction cup (round)

SPB1 15 ED-65 G1/8-IG

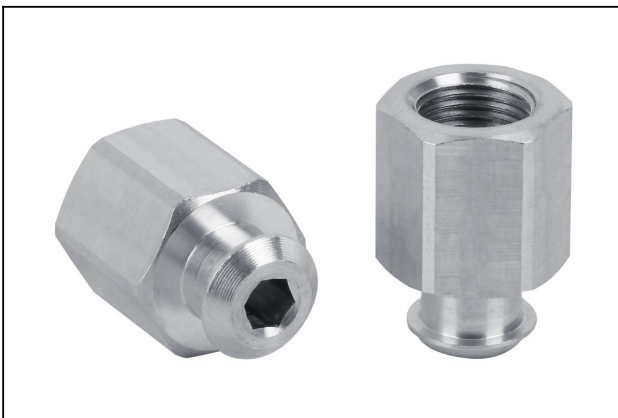
Part no.:10.01.06.03491

<https://www.schmalz.com/10.01.06.03491>



| Attribute | Value |
|-----------------------------|-----------------------|
| Suction force (-600mbar) | 4.3 N |
| Pull-off force | 9 N |
| Lateral force | 5 N |
| Volume | 1.498 cm ³ |
| Curve radius (min) (convex) | 7.5 mm |
| Hose diameter (empf.) d | 4 mm |
| Size | 15 |
| Number of folds | 1.5 |
| Suction cup material | Elastodur |
| Material hardness [Shore A] | 65 Shore A |
| Weight | 6.6 g |
| Product family | SPB1 |

Spare Parts



SC 040 G1/8-IG

Part no.10.01.06.02482

Connection element for suction cup "SchmalzConnector"

Connection geometry: 040

Vacuum connection: G1/8"-F

Overall length: 20.7 mm

Fitting length: 14 mm

Nominal diameter dn: 4.1 mm

Bell suction cup (round)

SPB1 15 ED-65 G1/8-IG

Part no.:10.01.06.03491

<https://www.schmalz.com/10.01.06.03491>



SPB1 15 ED-65 SC040

Part no.10.01.06.02783

Bellows suction cup (round) with 1.5 corr. for dynamic handling of cardboard and rigid packaging

Size: 15

Suction cup material: Elastodur

Material hardness: 65 °Sh

Number of folds: 1.5

Accessories



SPI 12 PA SPB1-15

Part no.10.01.06.03709

Suction cup insert for preventing deformation of sensitive workpieces

Size: 12

Material: Polyamide

Application: SPB1-15