

## Bell suction cup (round)

### SPB1 25 ED-65 G1/8-IG

Part no.:10.01.06.03495

<https://www.schmalz.com/10.01.06.03495>

Homepage > Vacuum Technology for Automation > Vacuum Components > Vacuum Suction Cups > Suction Cups for Packaging > Bellows

Suction Cups SPB1 (1.5 Folds) > SPB1 25 ED-65 G1/8-IG

## Bellows suction cup (round) for very uneven workpieces



Size: 25

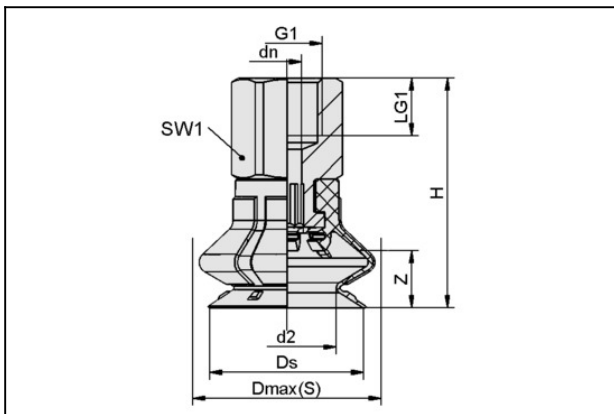
Suction cup material: Elastodur

Material hardness: 65 °Sh

Thread G1: G1/8"-F

Number of folds: 1.5

## Design Data



Attribute	Value
d2	16.9 mm
dn	4.1 mm
Dmax(S)	31.3 mm
Ds	26.4 mm
G1	G1/8"-F
H	35 mm
LG1	8 mm
SW1	14 mm
Z (Stroke)	11 mm

## Technical Data

### Contact to Schmalz

J. Schmalz GmbH | Johannes-Schmalz-Straße, 72293 Glatten, Deutschland | +49 7443 2403-102 | [customercenter@schmalz.de](mailto:customercenter@schmalz.de)

## Bell suction cup (round)

### SPB1 25 ED-65 G1/8-IG

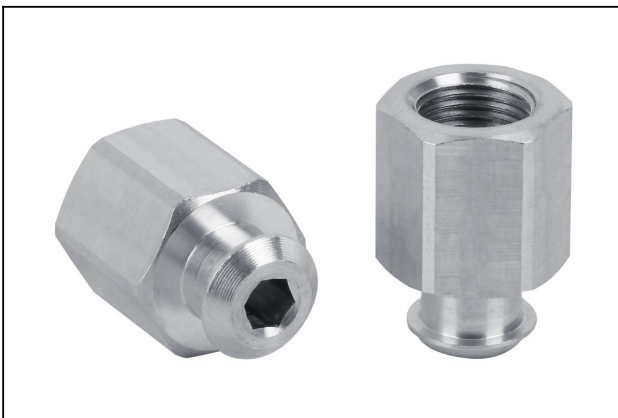
Part no.:10.01.06.03495

<https://www.schmalz.com/10.01.06.03495>



Attribute	Value
Suction force (-600mbar)	14.9 N
Pull-off force	23.4 N
Lateral force	13 N
Volume	5.254 cm <sup>3</sup>
Curve radius (min) (convex)	20 mm
Hose diameter (empf.) d	4 mm
Size	25
Number of folds	1.5
Suction cup material	Elastodur
Material hardness [Shore A]	65 Shore A
Weight	8.1 g
Product family	SPB1

## Spare Parts



### SC 040 G1/8-IG

Part no.10.01.06.02482

Connection element for suction cup "SchmalzConnector"

Connection geometry: 040

Vacuum connection: G1/8"-F

Overall length: 20.7 mm

Fitting length: 14 mm

Nominal diameter dn: 4.1 mm

## Bell suction cup (round)

SPB1 25 ED-65 G1/8-IG

Part no.:10.01.06.03495

<https://www.schmalz.com/10.01.06.03495>



### SPB1 25 ED-65 SC040

Part no.10.01.06.02453

Bellows suction cup (round) with 1.5 corr. for dynamic handling of cardboard and rigid packaging

Size: 25

Suction cup material: Elastodur

Material hardness: 65 °Sh

Number of folds: 1.5

## Accessories



### SIEB 11x1 MS-A2 280 0.28/0.16

Part no.10.07.01.00309

Screen protects the vacuum system from contamination

External diameter D: 11 mm

Length L: 1 mm

Material: Brass / Stainless steel

Filter pore size: 280 µm

Mesh: 0.28 mm

Wire size: 0.16 mm



### SPI 22 PA SPB1-25

Part no.10.01.06.03315

Suction cup insert for preventing deformation of sensitive workpieces

Size: 22

Material: Polyamide

Application: SPB1-25