

Bell suction cup (round)

SPB1 60 ED-65 G1/4-AG

Part no.:10.01.06.03502

<https://www.schmalz.com/10.01.06.03502>

Homepage > Vacuum Technology for Automation > Vacuum Components > Vacuum Suction Cups > Suction Cups for Packaging > Bellows

Suction Cups SPB1 (1.5 Folds) > SPB1 60 ED-65 G1/4-AG

Bellows suction cup (round) for very uneven workpieces



Size: 60

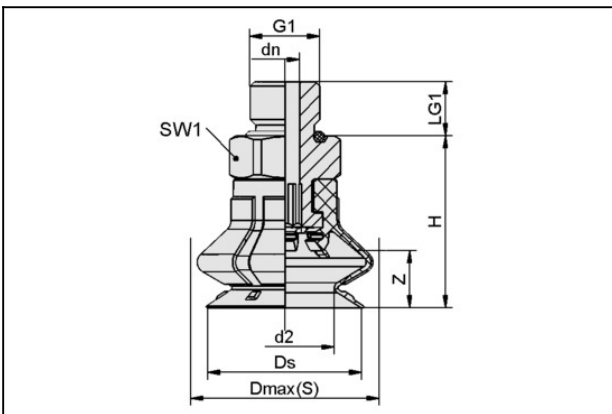
Suction cup material: Elastodur

Material hardness: 65 °Sh

Thread G1: G1/4"-M

Number of folds: 1.5

Design Data



Attribute	Value
d2	38.6 mm
dn	6.1 mm
Dmax(S)	69.6 mm
Ds	61.4 mm
G1	G1/4"-M
H	43.2 mm
LG1	10 mm
SW1	17 mm
Z (Stroke)	22 mm

Technical Data

Contact to Schmalz

J. Schmalz GmbH | Johannes-Schmalz-Straße, 72293 Glatten, Deutschland | +49 7443 2403-102 | customercenter@schmalz.de

Bell suction cup (round)

SPB1 60 ED-65 G1/4-AG

Part no.:10.01.06.03502

<https://www.schmalz.com/10.01.06.03502>

Attribute	Value
Suction force (-600mbar)	78 N
Pull-off force	100.9 N
Lateral force	49.4 N
Volume	49.24 cm ³
Curve radius (min) (convex)	100 mm
Hose diameter (empf.) d	6 mm
Size	60
Number of folds	1.5
Suction cup material	Elastodur
Material hardness [Shore A]	65 Shore A
Weight	33.2 g
Product family	SPB1

Spare Parts



SC 050 G1/4-AG

Part no.10.01.06.02487

Connection element for suction cup "SchmalzConnector"

Connection geometry: 050

Vacuum connection: G1/4"-M

Overall length: 26.5 mm

Fitting length: 7.2 mm

Nominal diameter dn: 6.1 mm

Bell suction cup (round)

SPB1 60 ED-65 G1/4-AG

Part no.:10.01.06.03502

<https://www.schmalz.com/10.01.06.03502>



SPB1 60 ED-65 SC050

Part no.10.01.06.02457

Bellows suction cup (round) with 1.5 corr. for dynamic handling of cardboard and rigid packaging

Size: 60

Suction cup material: Elastodur

Material hardness: 65 °Sh

Number of folds: 1.5

Accessories



SIEB 17.5x0.8 MS-A2 280 0.28/0.16

Part no.10.07.01.00308

Screen protects the vacuum system from contamination

External diameter D: 17.5 mm

Length L: 0.8 mm

Material: Brass / Stainless steel

Filter pore size: 280 µm

Mesh: 0.28 mm

Wire size: 0.16 mm