

## Bell suction cup (round)

### SPB1 80 ED-65 G1/4-AG

Part no.:10.01.06.03504

<https://www.schmalz.com/10.01.06.03504>

Homepage > Vacuum Technology for Automation > Vacuum Components > Vacuum Suction Cups > Suction Cups for Packaging > Bellows

Suction Cups SPB1 (1.5 Folds) > SPB1 80 ED-65 G1/4-AG

## Bellows suction cup (round) for very uneven workpieces



Size: 80

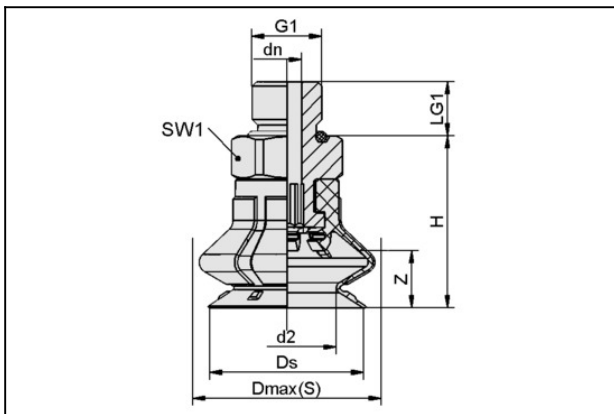
Suction cup material: Elastodur

Material hardness: 65 °Sh

Thread G1: G1/4"-M

Number of folds: 1.5

## Design Data



Attribute	Value
d2	56 mm
dn	6.1 mm
Dmax(S)	88 mm
Ds	81.4 mm
G1	G1/4"-M
H	53.9 mm
LG1	10 mm
SW1	22 mm
Z (Stroke)	23.5 mm

## Technical Data

### Contact to Schmalz

J. Schmalz GmbH | Johannes-Schmalz-Straße, 72293 Glatten, Deutschland | +49 7443 2403-102 | [customercenter@schmalz.de](mailto:customercenter@schmalz.de)

## Bell suction cup (round)

### SPB1 80 ED-65 G1/4-AG

Part no.:10.01.06.03504

<https://www.schmalz.com/10.01.06.03504>



Attribute	Value
Suction force (-600mbar)	166 N
Pull-off force	200 N
Lateral force	59 N
Volume	98.358 cm <sup>3</sup>
Curve radius (min) (convex)	150 mm
Hose diameter (empf.) d	6 mm
Size	80
Number of folds	1.5
Suction cup material	Elastodur
Material hardness [Shore A]	65 Shore A
Weight	74.4 g
Product family	SPB1

## Spare Parts



### SC 065 G1/4-AG L

Part no.10.01.06.03193

Connection element for suction cup "SchmalzConnector"

Connection geometry: 065

Vacuum connection: G1/4"-M

Overall length: 36.1 mm

Fitting length: 8 mm

Construction: Self Locking

Nominal diameter dn: 6.1 mm

## Contact to Schmalz

J. Schmalz GmbH | Johannes-Schmalz-Straße, 72293 Glatten, Deutschland | +49 7443 2403-102 | [customercenter@schmalz.de](mailto:customercenter@schmalz.de)

## Bell suction cup (round)

SPB1 80 ED-65 G1/4-AG

Part no.:10.01.06.03504

<https://www.schmalz.com/10.01.06.03504>



### SPB1 80 ED-65 SC065

Part no.10.01.06.03071

Bellows suction cup (round) with 1.5 corr. for dynamic handling of cardboard and rigid packaging

Size: 80

Suction cup material: Elastodur

Material hardness: 65 °Sh

Number of folds: 1.5

## Accessories



### SIEB 32.5x0.8 MS-A2 280 0.28/0.16

Part no.10.07.01.00364

Screen protects the vacuum system from contamination

External diameter D: 32.5 mm

Length L: 0.8 mm

Material: Brass / Stainless steel

Filter pore size: 280 µm

Mesh: 0.28 mm

Wire size: 0.16 mm