

Bell suction cup (round)

SPB1 80 ED-65 G1/4-IG

Part no.:10.01.06.03505

<https://www.schmalz.com/10.01.06.03505>

Homepage > Vacuum Technology for Automation > Vacuum Components > Vacuum Suction Cups > Suction Cups for Packaging > Bellows

Suction Cups SPB1 (1.5 Folds) > SPB1 80 ED-65 G1/4-IG

Bellows suction cup (round) for very uneven workpieces



Size: 80

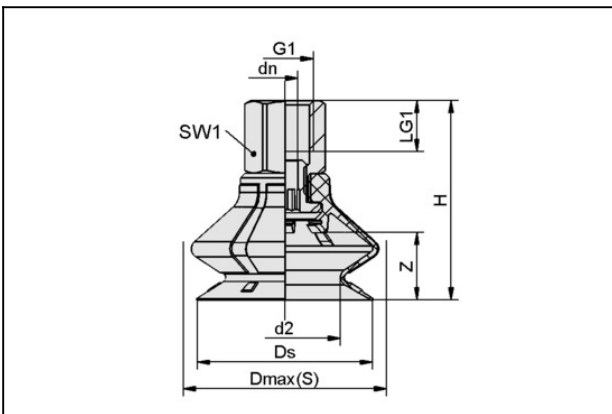
Suction cup material: Elastodur

Material hardness: 65 °Sh

Thread G1: G1/4"-F

Number of folds: 1.5

Design Data



| Attribute | Value |
|------------|---------|
| d2 | 56 mm |
| dn | 6.1 mm |
| Dmax(S) | 88 mm |
| Ds | 81.4 mm |
| G1 | G1/4"-F |
| H | 63.9 mm |
| LG1 | 12 mm |
| SW1 | 22 mm |
| Z (Stroke) | 23.5 mm |

Technical Data

Contact to Schmalz

J. Schmalz GmbH | Johannes-Schmalz-Straße, 72293 Glatten, Deutschland | +49 7443 2403-102 | customercenter@schmalz.de

Bell suction cup (round)

SPB1 80 ED-65 G1/4-IG

Part no.:10.01.06.03505

<https://www.schmalz.com/10.01.06.03505>



| Attribute | Value |
|-----------------------------|------------------------|
| Suction force (-600mbar) | 166 N |
| Pull-off force | 200 N |
| Lateral force | 59 N |
| Volume | 98.358 cm ³ |
| Curve radius (min) (convex) | 150 mm |
| Hose diameter (empf.) d | 6 mm |
| Size | 80 |
| Number of folds | 1.5 |
| Suction cup material | Elastodur |
| Material hardness [Shore A] | 65 Shore A |
| Weight | 78.7 g |
| Product family | SPB1 |

Spare Parts



SC 065 G1/4-IG L

Part no.10.01.06.03194

Connection element for suction cup "SchmalzConnector"

Connection geometry: 065

Vacuum connection: G1/4"-F

Overall length: 36.1 mm

Fitting length: 18 mm

Construction: Self Locking

Nominal diameter dn: 6.1 mm

Contact to Schmalz

J. Schmalz GmbH | Johannes-Schmalz-Straße, 72293 Glatten, Deutschland | +49 7443 2403-102 | customercenter@schmalz.de

Bell suction cup (round)

SPB1 80 ED-65 G1/4-IG

Part no.:10.01.06.03505

<https://www.schmalz.com/10.01.06.03505>



SPB1 80 ED-65 SC065

Part no.10.01.06.03071

Bellows suction cup (round) with 1.5 corr. for dynamic handling of cardboard and rigid packaging

Size: 80

Suction cup material: Elastodur

Material hardness: 65 °Sh

Number of folds: 1.5

Accessories



SIEB 32.5x0.8 MS-A2 280 0.28/0.16

Part no.10.07.01.00364

Screen protects the vacuum system from contamination

External diameter D: 32.5 mm

Length L: 0.8 mm

Material: Brass / Stainless steel

Filter pore size: 280 µm

Mesh: 0.28 mm

Wire size: 0.16 mm