

Flat suction cup (round)

SPF 10 ED-65 M5-AG

Part no.:10.01.01.13237

<https://www.schmalz.com/10.01.01.13237>

Homepage > Vacuum Technology for Automation > Vacuum Components > Vacuum Suction Cups > Suction Cups for Packaging > Flat Suction Cups SPF > SPF 10 ED-65 M5-AG

Flat suction cup (round) for dynamic handling of cardboard and rigid packaging



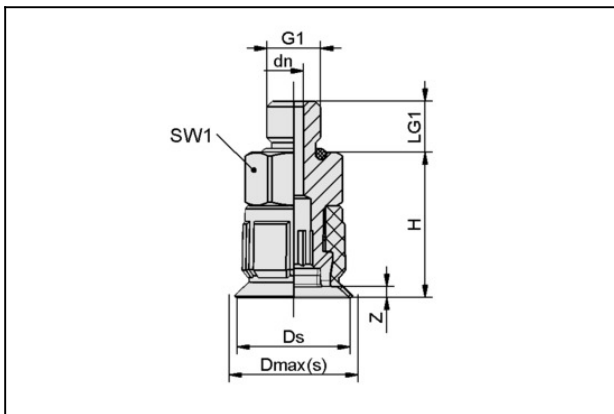
Size: 10

Suction cup material: Elastodur

Material hardness: 65 °Sh

Thread G1: M5-M

Design Data



Attribute	Value
dn	1.8 mm
Dmax(S)	12 mm
Ds	10.5 mm
G1	M5-M
H	13.5 mm
LG1	4.7 mm
SW1	8 mm
Z (Stroke)	1 mm

Technical Data

Contact to Schmalz

J. Schmalz GmbH | Johannes-Schmalz-Straße, 72293 Glatten, Deutschland | +49 7443 2403-102 | customercenter@schmalz.de

Flat suction cup (round)

SPF 10 ED-65 M5-AG

Part no.:10.01.01.13237

<https://www.schmalz.com/10.01.01.13237>

Attribute	Value
Suction force (-600mbar)	4.4 N
Pull-off force	5.2 N
Lateral force	3.5 N
Volume	0.297 cm ³
Curve radius (min) (convex)	8 mm
Hose diameter (empf.) d	4 mm
Size	10
Number of folds	0
Suction cup material	Elastodur
Material hardness [Shore A]	65 Shore A
Weight	1 g
Product family	SPF

Note: Suction force: The specified suction forces are theoretical values at a vacuum of -0.6 bar and with a smooth, dry workpiece surface - they do not include a safety factor
Hose diameter: The recommended hose diameter refers to a hose length of approx. 2 m

Spare Parts



SC 030 M5-AG

Part no.10.01.06.02802

Connection element for suction cup "SchmalzConnector"

Connection geometry: 030

Vacuum connection: M5-M

Overall length: 15.5 mm

Fitting length: 5 mm

Nominal diameter dn: 1.8 mm

Flat suction cup (round)

SPF 10 ED-65 M5-AG

Part no.:10.01.01.13237

<https://www.schmalz.com/10.01.01.13237>



SPF 10 ED-65 SC030

Part no.10.01.01.12894

Flat suction cup (round) for dynamic handling of cardboard and rigid packaging

Size: 10

Suction cup material: Elastodur

Material hardness: 65 °Sh