

Flat suction cup (round)

SPF 15 ED-65 G1/8-IG

Part no.:10.01.01.13239

<https://www.schmalz.com/10.01.01.13239>

Homepage > Vacuum Technology for Automation > Vacuum Components > Vacuum Suction Cups > Suction Cups for Packaging > Flat Suction Cups SPF > SPF 15 ED-65 G1/8-IG

Flat suction cup (round) for dynamic handling of cardboard and rigid packaging



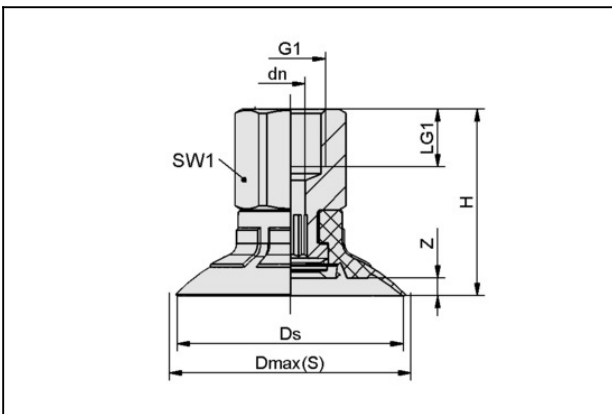
Size: 15

Suction cup material: Elastodur

Material hardness: 65 °Sh

Thread G1: G1/8"-F

Design Data



Attribute	Value
dn	4.1 mm
Dmax(S)	18.5 mm
Ds	16.4 mm
G1	G1/8"-F
H	24 mm
LG1	8 mm
SW1	14 mm
Z (Stroke)	1.5 mm

Technical Data

Contact to Schmalz

J. Schmalz GmbH | Johannes-Schmalz-Straße, 72293 Glatten, Deutschland | +49 7443 2403-102 | customercenter@schmalz.de

Flat suction cup (round)

SPF 15 ED-65 G1/8-IG

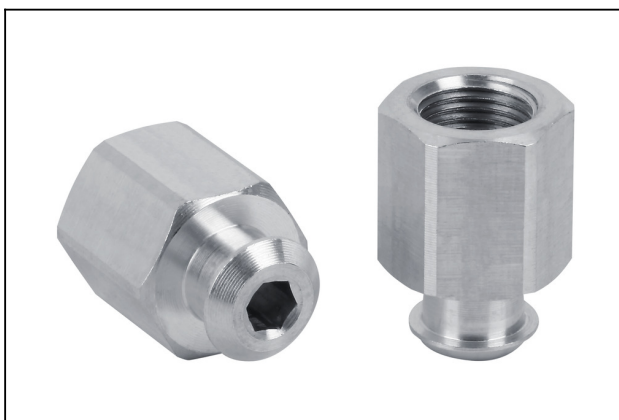
Part no.:10.01.01.13239

<https://www.schmalz.com/10.01.01.13239>

Attribute	Value
Suction force (-600mbar)	9.8 N
Pull-off force	11 N
Lateral force	7.9 N
Volume	0.758 cm ³
Curve radius (min) (convex)	13 mm
Hose diameter (empf.) d	4 mm
Size	15
Number of folds	0
Suction cup material	Elastodur
Material hardness [Shore A]	65 Shore A
Weight	6.1 g
Product family	SPF

Note: Suction force: The specified suction forces are theoretical values at a vacuum of -0.6 bar and with a smooth, dry workpiece surface - they do not include a safety factor
Hose diameter: The recommended hose diameter refers to a hose length of approx. 2 m

Spare Parts



SC 040 G1/8-IG

Part no.10.01.06.02482

Connection element for suction cup "SchmalzConnector"

Connection geometry: 040

Vacuum connection: G1/8"-F

Overall length: 20.7 mm

Fitting length: 14 mm

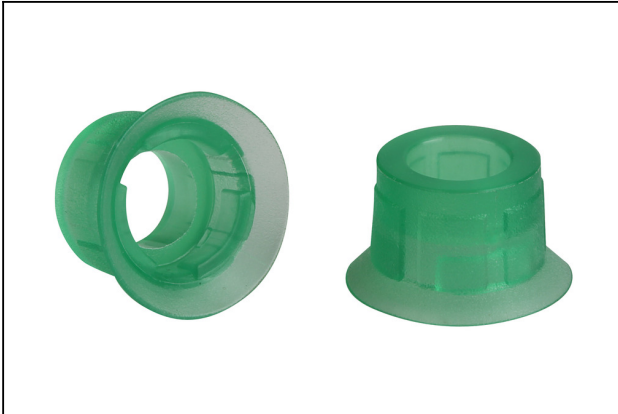
Nominal diameter dn: 4.1 mm

Flat suction cup (round)

SPF 15 ED-65 G1/8-IG

Part no.:10.01.01.13239

<https://www.schmalz.com/10.01.01.13239>



SPF 15 ED-65 SC040

Part no.10.01.01.12895

Flat suction cup (round) for dynamic handling of cardboard and rigid packaging

Size: 15

Suction cup material: Elastodur

Material hardness: 65 °Sh