

## Flat suction cup (round)

SPF 20 ED-65 G1/8-AG

Part no.:10.01.01.13240

<https://www.schmalz.com/10.01.01.13240>

Homepage > Vacuum Technology for Automation > Vacuum Components > Vacuum Suction Cups > Suction Cups for Packaging > Flat Suction Cups SPF > SPF 20 ED-65 G1/8-AG

### Flat suction cup (round) for dynamic handling of cardboard and rigid packaging



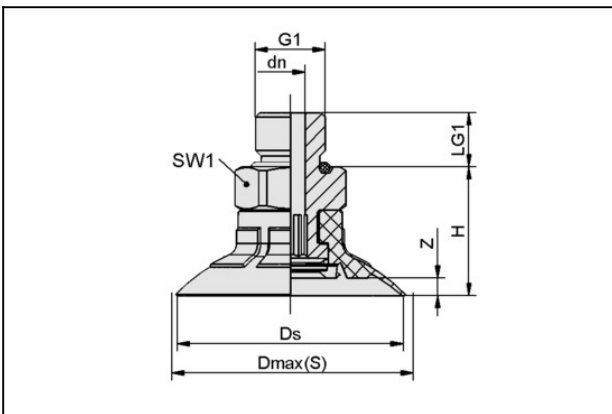
Size: 20

Suction cup material: Elastodur

Material hardness: 65 °Sh

Thread G1: G1/8"-M

#### Design Data



Attribute	Value
dn	4.1 mm
Dmax(S)	23.3 mm
Ds	21.4 mm
G1	G1/8"-M
H	17 mm
LG1	7.5 mm
SW1	14 mm
Z (Stroke)	2 mm

#### Technical Data

#### Contact to Schmalz

J. Schmalz GmbH | Johannes-Schmalz-Straße, 72293 Glatten, Deutschland | +49 7443 2403-102 | [customercenter@schmalz.de](mailto:customercenter@schmalz.de)

## Flat suction cup (round)

### SPF 20 ED-65 G1/8-AG

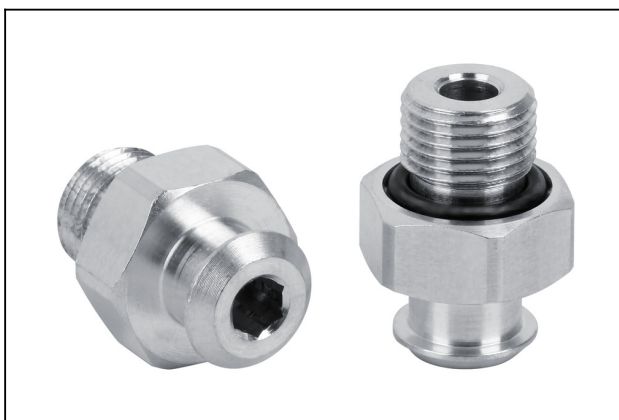
Part no.:10.01.01.13240

<https://www.schmalz.com/10.01.01.13240>

Attribute	Value
Suction force (-600mbar)	16 N
Pull-off force	19.2 N
Lateral force	10.5 N
Volume	1.131 cm <sup>3</sup>
Curve radius (min) (convex)	20 mm
Hose diameter (empf.) d	4 mm
Size	20
Number of folds	0
Suction cup material	Elastodur
Material hardness [Shore A]	65 Shore A
Weight	6.9 g
Product family	SPF

Note: Suction force: The specified suction forces are theoretical values at a vacuum of -0.6 bar and with a smooth, dry workpiece surface - they do not include a safety factor  
Hose diameter: The recommended hose diameter refers to a hose length of approx. 2 m

## Spare Parts



### SC 040 G1/8-AG

Part no.10.01.06.02490

Connection element for suction cup "SchmalzConnector"

Connection geometry: 040

Vacuum connection: G1/8"-M

Overall length: 20.2 mm

Fitting length: 6 mm

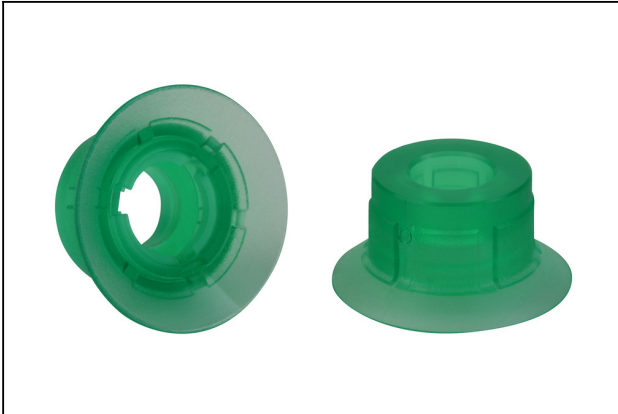
Nominal diameter dn: 4.1 mm

## Flat suction cup (round)

SPF 20 ED-65 G1/8-AG

Part no.:10.01.01.13240

<https://www.schmalz.com/10.01.01.13240>



### SPF 20 ED-65 SC040

Part no.10.01.01.12370

Flat suction cup (round) for dynamic handling of cardboard and rigid packaging

Size: 20

Suction cup material: Elastodur

Material hardness: 65 °Sh

## Accessories



### SIEB 11x1 MS-A2 280 0.28/0.16

Part no.10.07.01.00309

Screen protects the vacuum system from contamination

External diameter D: 11 mm

Length L: 1 mm

Material: Brass / Stainless steel

Filter pore size: 280 µm

Mesh: 0.28 mm

Wire size: 0.16 mm