

Flat suction cup (round)

SPF 30 ED-65 G1/8-AG

Part no.:10.01.01.13244

<https://www.schmalz.com/10.01.01.13244>

Homepage > Vacuum Technology for Automation > Vacuum Components > Vacuum Suction Cups > Suction Cups for Packaging > Flat Suction Cups SPF > SPF 30 ED-65 G1/8-AG

Flat suction cup (round) for dynamic handling of cardboard and rigid packaging



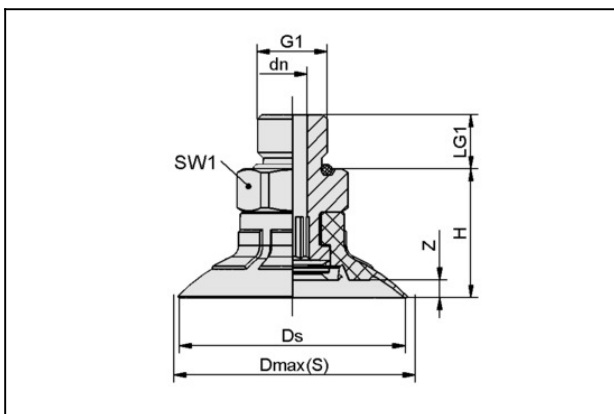
Size: 30

Suction cup material: Elastodur

Material hardness: 65 °Sh

Thread G1: G1/8"-M

Design Data



Attribute	Value
dn	4.1 mm
Dmax(S)	33.6 mm
Ds	31.4 mm
G1	G1/8"-M
H	18 mm
LG1	7.5 mm
SW1	14 mm
Z (Stroke)	2.5 mm

Technical Data

Contact to Schmalz

J. Schmalz GmbH | Johannes-Schmalz-Straße, 72293 Glatten, Deutschland | +49 7443 2403-102 | customercenter@schmalz.de

Flat suction cup (round)

SPF 30 ED-65 G1/8-AG

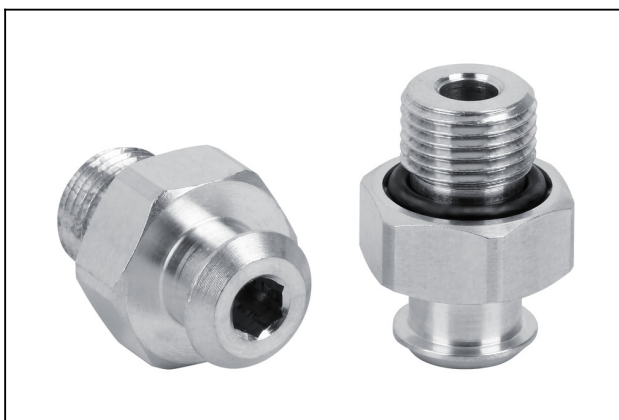
Part no.:10.01.01.13244

<https://www.schmalz.com/10.01.01.13244>

Attribute	Value
Suction force (-600mbar)	29.5 N
Pull-off force	35.3 N
Lateral force	22.5 N
Volume	2.531 cm ³
Curve radius (min) (convex)	35 mm
Hose diameter (empf.) d	6 mm
Size	30
Number of folds	0
Suction cup material	Elastodur
Material hardness [Shore A]	65 Shore A
Weight	7.5 g
Product family	SPF

Note: Suction force: The specified suction forces are theoretical values at a vacuum of -0.6 bar and with a smooth, dry workpiece surface - they do not include a safety factor Hose diameter: The recommended hose diameter refers to a hose length of approx. 2 m

Spare Parts



SC 040 G1/8-AG

Part no.10.01.06.02490

Connection element for suction cup "SchmalzConnector"

Connection geometry: 040

Vacuum connection: G1/8"-M

Overall length: 20.2 mm

Fitting length: 6 mm

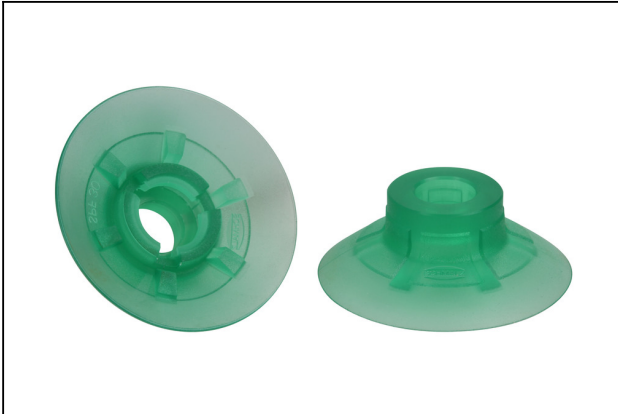
Nominal diameter dn: 4.1 mm

Flat suction cup (round)

SPF 30 ED-65 G1/8-AG

Part no.:10.01.01.13244

<https://www.schmalz.com/10.01.01.13244>



SPF 30 ED-65 SC040

Part no.10.01.01.12372

Flat suction cup (round) for dynamic handling of cardboard and rigid packaging

Size: 30

Suction cup material: Elastodur

Material hardness: 65 °Sh

Accessories



SIEB 11x1 MS-A2 280 0.28/0.16

Part no.10.07.01.00309

Screen protects the vacuum system from contamination

External diameter D: 11 mm

Length L: 1 mm

Material: Brass / Stainless steel

Filter pore size: 280 µm

Mesh: 0.28 mm

Wire size: 0.16 mm



SU 30

Part no.10.01.01.12889

Cover for suction cup

Size: 30

Clamping range: 27.0 ... 35.0 mm

Temperature resistance: 80 °C