

## Flat suction cup (round)

SPF 50 ED-65 G1/4-AG

Part no.:10.01.01.13248

<https://www.schmalz.com/10.01.01.13248>

Homepage > Vacuum Technology for Automation > Vacuum Components > Vacuum Suction Cups > Suction Cups for Packaging > Flat Suction Cups SPF > SPF 50 ED-65 G1/4-AG

### Flat suction cup (round) for dynamic handling of cardboard and rigid packaging



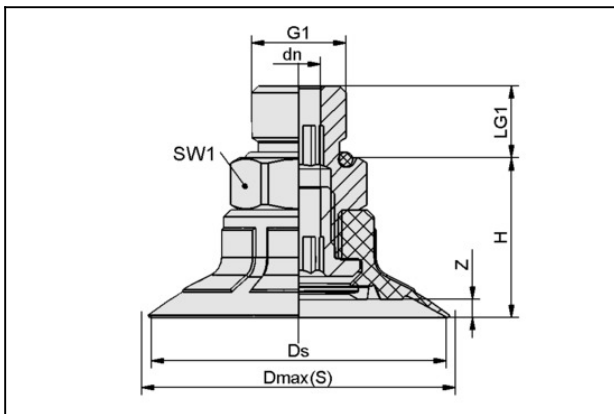
Size: 50

Suction cup material: Elastodur

Material hardness: 65 °Sh

Thread G1: G1/4"-M

#### Design Data



Attribute	Value
dn	6.1 mm
Dmax(S)	53.9 mm
Ds	51.4 mm
G1	G1/4"-M
H	23.2 mm
LG1	10 mm
SW1	17 mm
Z (Stroke)	3.5 mm

#### Technical Data

#### Contact to Schmalz

J. Schmalz GmbH | Johannes-Schmalz-Straße, 72293 Glatten, Deutschland | +49 7443 2403-102 | [customercenter@schmalz.de](mailto:customercenter@schmalz.de)

## Flat suction cup (round)

### SPF 50 ED-65 G1/4-AG

Part no.:10.01.01.13248

<https://www.schmalz.com/10.01.01.13248>

Attribute	Value
Suction force (-600mbar)	74.2 N
Pull-off force	87.4 N
Lateral force	44 N
Volume	7.955 cm <sup>3</sup>
Curve radius (min) (convex)	75 mm
Hose diameter (empf.) d	6 mm
Size	50
Number of folds	0
Suction cup material	Elastodur
Material hardness [Shore A]	65 Shore A
Weight	20.1 g
Product family	SPF

Note: Suction force: The specified suction forces are theoretical values at a vacuum of -0.6 bar and with a smooth, dry workpiece surface - they do not include a safety factor  
 Hose diameter: The recommended hose diameter refers to a hose length of approx. 2 m

## Spare Parts



### SC 050 G1/4-AG

Part no.10.01.06.02487

Connection element for suction cup "SchmalzConnector"

Connection geometry: 050

Vacuum connection: G1/4"-M

Overall length: 26.5 mm

Fitting length: 7.2 mm

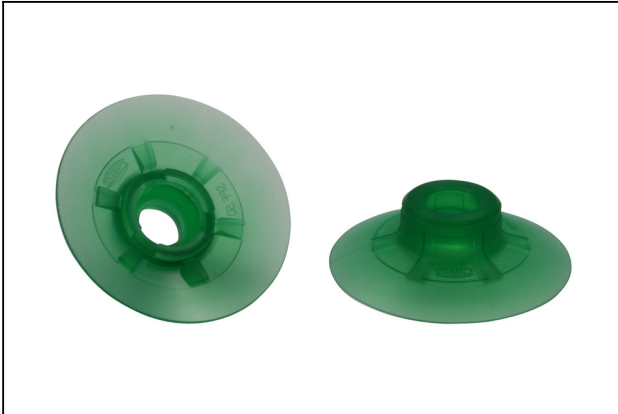
Nominal diameter dn: 6.1 mm

## Flat suction cup (round)

SPF 50 ED-65 G1/4-AG

Part no.:10.01.01.13248

<https://www.schmalz.com/10.01.01.13248>



### SPF 50 ED-65 SC050

Part no.10.01.01.12374

Flat suction cup (round) for dynamic handling of cardboard and rigid packaging

Size: 50

Suction cup material: Elastodur

Material hardness: 65 °Sh

## Accessories



### SIEB 17.5x0.8 MS-A2 280 0.28/0.16

Part no.10.07.01.00308

Screen protects the vacuum system from contamination

External diameter D: 17.5 mm

Length L: 0.8 mm

Material: Brass / Stainless steel

Filter pore size: 280 µm

Mesh: 0.28 mm

Wire size: 0.16 mm



### SU 50

Part no.10.01.01.12837

Cover for suction cup

Size: 50

Clamping range: 45.0 ... 60.0 mm

Temperature resistance: 80 °C