

Flat suction cup (round)

SPF 60 ED-65 G1/4-AG

Part no.:10.01.01.13250

<https://www.schmalz.com/10.01.01.13250>

Homepage > Vacuum Technology for Automation > Vacuum Components > Vacuum Suction Cups > Suction Cups for Packaging > Flat Suction Cups SPF > SPF 60 ED-65 G1/4-AG

Flat suction cup (round) for dynamic handling of cardboard and rigid packaging



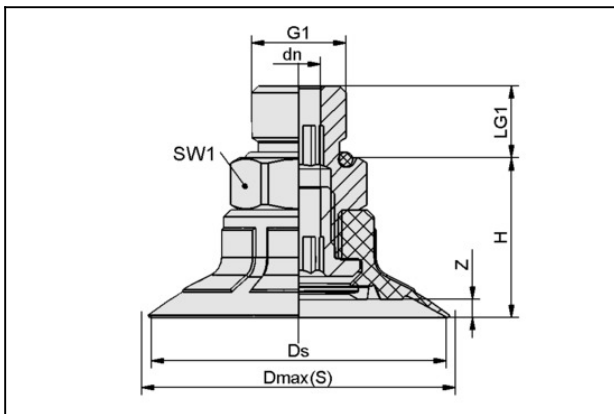
Size: 60

Suction cup material: Elastodur

Material hardness: 65 °Sh

Thread G1: G1/4"-M

Design Data



Attribute	Value
dn	6.1 mm
Dmax(S)	65 mm
Ds	61.2 mm
G1	G1/4"-M
H	25.3 mm
LG1	10 mm
SW1	17 mm
Z (Stroke)	5.1 mm

Technical Data

Contact to Schmalz

J. Schmalz GmbH | Johannes-Schmalz-Straße, 72293 Glatten, Deutschland | +49 7443 2403-102 | customercenter@schmalz.de

Flat suction cup (round)

SPF 60 ED-65 G1/4-AG

Part no.:10.01.01.13250

<https://www.schmalz.com/10.01.01.13250>



Attribute	Value
Suction force (-600mbar)	107 N
Pull-off force	135 N
Lateral force	65 N
Volume	12.669 cm ³
Curve radius (min) (convex)	75 mm
Hose diameter (empf.) d	6 mm
Size	60
Number of folds	0
Suction cup material	Elastodur
Material hardness [Shore A]	65 Shore A
Weight	23.4 g
Product family	SPF

Note: Suction force: The specified suction forces are theoretical values at a vacuum of -0.6 bar and with a smooth, dry workpiece surface - they do not include a safety factor
Hose diameter: The recommended hose diameter refers to a hose length of approx. 2 m

Spare Parts



SC 050 G1/4-AG

Part no.10.01.06.02487

Connection element for suction cup "SchmalzConnector"

Connection geometry: 050

Vacuum connection: G1/4"-M

Overall length: 26.5 mm

Fitting length: 7.2 mm

Nominal diameter dn: 6.1 mm

Flat suction cup (round)

SPF 60 ED-65 G1/4-AG

Part no.:10.01.01.13250

<https://www.schmalz.com/10.01.01.13250>



SPF 60 ED-65 SC050

Part no.10.01.01.12896

Flat suction cup (round) for dynamic handling of cardboard and rigid packaging

Size: 60

Suction cup material: Elastodur

Material hardness: 65 °Sh

Accessories



SIEB 17.5x0.8 MS-A2 280 0.28/0.16

Part no.10.07.01.00308

Screen protects the vacuum system from contamination

External diameter D: 17.5 mm

Length L: 0.8 mm

Material: Brass / Stainless steel

Filter pore size: 280 µm

Mesh: 0.28 mm

Wire size: 0.16 mm



SU 60

Part no.10.01.01.13585

Cover for suction cup

Size: 60

Clamping range: 60.0 ... 70.0 mm

Temperature resistance: 80 °C