

Bellows suction cup HT1 (round)

SAB 100 HT1-60 G1/4-IG

Part no.:10.01.06.02961

<https://www.schmalz.com/10.01.06.02961>

Homepage > Vacuum Technology for Automation > Vacuum Components > Vacuum Suction Cups > Suction Cups for Handling Sheet Metal >

Bellows Suction Cups SAB (1.5 Folds) > SAB 100 HT1-60 G1/4-IG

Bellows suction cup (round) for markless handling of workpieces



Size: 100

Suction cup material:

High temp material HT1

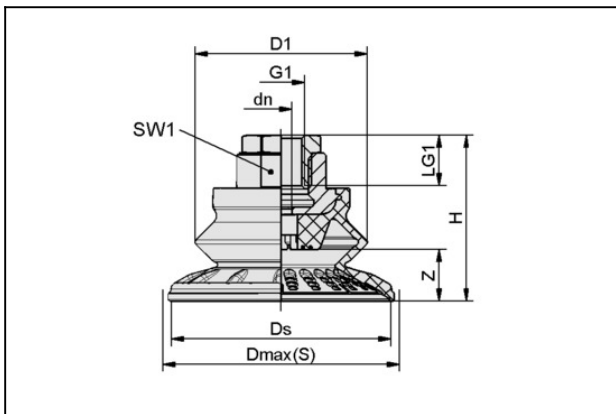
Material hardness: 60 °Sh

Vacuum connection: G1/4"-F

Number of folds: 1.5

Nipple material: Brass, nickel-plated

Design Data



| Attribute | Value |
|------------|----------|
| dn | 6 mm |
| D1 | 77 mm |
| Dmax(S) | 110 mm |
| Ds | 100.8 mm |
| G1 | G1/4"-F |
| H | 61.8 mm |
| LG1 | 20 mm |
| SW1 | 22 mm |
| Z (Stroke) | 25.8 mm |

Technical Data

Contact to Schmalz

J. Schmalz GmbH | Johannes-Schmalz-Straße, 72293 Glatten, Deutschland | +49 7443 2403-102 | customercenter@schmalz.de

Bellows suction cup HT1 (round)

SAB 100 HT1-60 G1/4-IG

Part no.:10.01.06.02961

<https://www.schmalz.com/10.01.06.02961>



| Attribute | Value |
|------------------------------|------------------------|
| Suction force (-600mbar) | 190 N |
| Pull-off force | 357 N |
| Lateral force | 220 N |
| Lateral force (oily surface) | 214 N |
| Volume | 92.5 cm ³ |
| Curve radius (min) (convex) | 90 mm |
| Hose diameter (empf.) d | 6 mm |
| Size | 100 |
| Number of folds | 1.5 |
| Suction cup material | High temp material HT1 |
| Material hardness [Shore A] | 60 Shore A |
| Weight | 101.9 g |
| Product family | SAB |

Note: Suction force: The specified suction forces are theoretical values at a vacuum of -0.6 bar and with a smooth, dry workpiece surface - they do not include a safety factor Lateral force: The specified lateral forces are values measured at a vacuum of -0.6 bar with a dry or oily, smooth, flat workpiece surface. Depending on the workpiece surface and its quality, the actual values may deviate from these values Hose diameter: The recommended hose diameter refers to a hose length of approx. 2 m