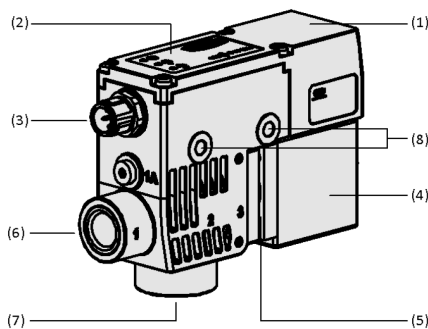


Compact Valves LQEc / LQEI

Nominal flow of 240 l/min



Compact Valves LQEc / LQEI



System Design Compact Valves LQEc / LQEI

Product Highlights

- Direct-acting 3/2-way valve in compact design allows decentralized installation directly on the gripper for extremely fast evacuation and ventilation times
- Intelligent vacuum switch enables easy monitoring and control of the gripping process and increases system availability
- Design as a compact valve with integrated vacuum switch reduces the number of components required and saves time during connection and startup
- Optimized flow cross-sections enable fast and reliable, purely electrical depositing of gripped workpieces without compressed air and reduce operating costs
- Design as bistable valve with end position fixing and additional check valve increases process reliability even in the event of power failure

Suitability for Industry Specific Applications

Applications

- Use in systems with central vacuum generation for control and regulation of one or more suction circuits
- Application in combination with electric vacuum generators for setting up all-electric systems
- Realization of a process monitoring of vacuum systems directly at the gripper
- Use in handling processes with fast suction and discharge times

Design

- Compact main body (1) made of plastic with integrated control module
- Display foil with LED indicator (2)
- Electric connection M12, 5-pole connector (3), optionally as variant with digital switching inputs and outputs or with IO-Link control
- Direct-acting valve unit (4) with atmospheric vent and integrated filter screen (5)
- Vacuum connections for external vacuum generator (6) and to the gripper (7)
- Mounting holes (8) to accommodate the compact valve

Compact Valves LQEc / LQEI

Nominal flow of 240 l/min

Ordering Data Compact Valves LQEc / LQEI

Type	Part no.
LQEc 8 24V-DC 3/2 IMP PNP	10.05.11.00008
LQEc 8 24V-DC 3/2 IMP NPN	10.05.11.00018
LQEI 8 24V-DC 3/2 IMP IOL-B	10.05.11.00014

Technical Data Compact Valves LQEc / LQEI

Type	Nominal size [mm]	Control valve	Communication	Nominal flow rate [l/min]	Nominal flow rate [m ³ /h]	Power consumption DC [W]	Voltage [V]	Operating pressure	Operating temperature	Protection type IP	Weight [g]
LQEc 8 24V-DC 3/2 IMP PNP	8	Double pilot valve	-	109	7	3.2	24V - DC	-0.9 ... 0.0 bar	0 ... 50 °C	IP 40	399
LQEc 8 24V-DC 3/2 IMP NPN	8	Double pilot valve	-	109	7	3.2	24V - DC	-0.9 ... 0.0 bar	0 ... 50 °C	IP 40	399
LQEI 8 24V-DC 3/2 IMP IOL-B	8	Double pilot valve	IO-Link (Class B)	109	7	3.2	24V - DC	-0.9 ... 0.0 bar	0 ... 50 °C	IP 40	399

Design Data Compact Valves LQEc / LQEI

Type	B [mm]	B1 [mm]	d [mm]	G1	G2	G3	G4	H [mm]	H1 [mm]	H2 [mm]	H3 [mm]	H4 [mm]	H5 [mm]	L [mm]	L1 [mm]	L2 [mm]	L3 [mm]	SW1 [mm]	SW3 [mm]	X1 [mm]
LQEc 8 24V-DC 3/2 IMP PNP	32	32.6	4.41	G1/4"-F	G3/8"-F	M12x1-M	M5-F	66.85	78	52	34.21	14	26.25	107.6	110.35	13	17	19	14	32
LQEc 8 24V-DC 3/2 IMP NPN	32	32.6	4.41	G1/4"-F	G3/8"-F	M12x1-M	M5-F	66.85	78	52	34.21	14	26.25	107.6	110.35	13	17	19	14	32
LQEI 8 24V-DC 3/2 IMP IOL-B	32	32.6	4.41	G1/4"-F	G3/8"-F	M12x1-M	M5-F	66.85	78	52	34.21	14	26.25	107.6	110.35	13	17	19	14	32