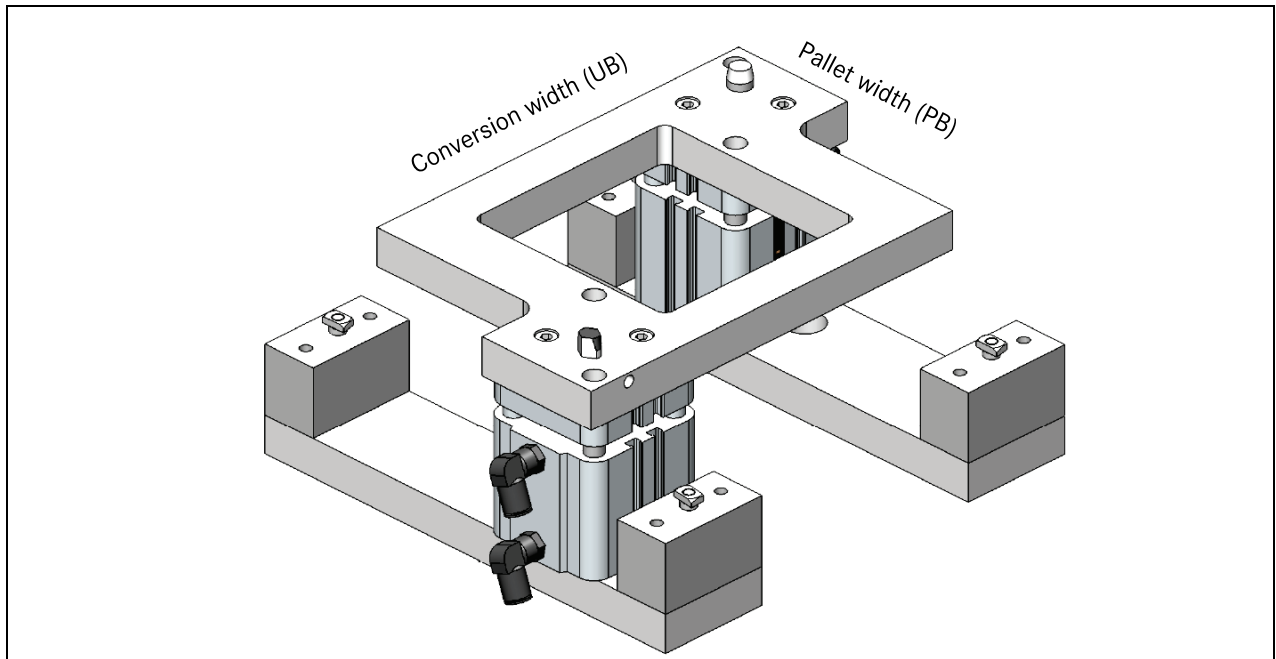


Open Lift/Centring device (300518001)



Open lift/centring devices (HZEO) are a useful variant which additionally ensure accessibility of the workpiece carrier from below. The workpiece carrier is also positioned accurately via centering bushes ± 0.02 mm. Max. Load 800 N. Retainer (NH) limit the upward stroke movement of the WT and ensure a defined position in the Z axis.

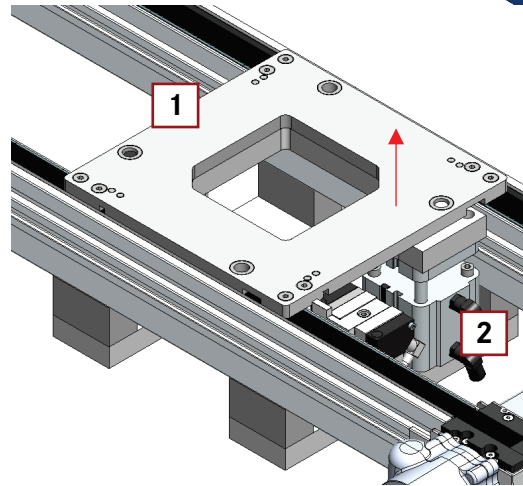
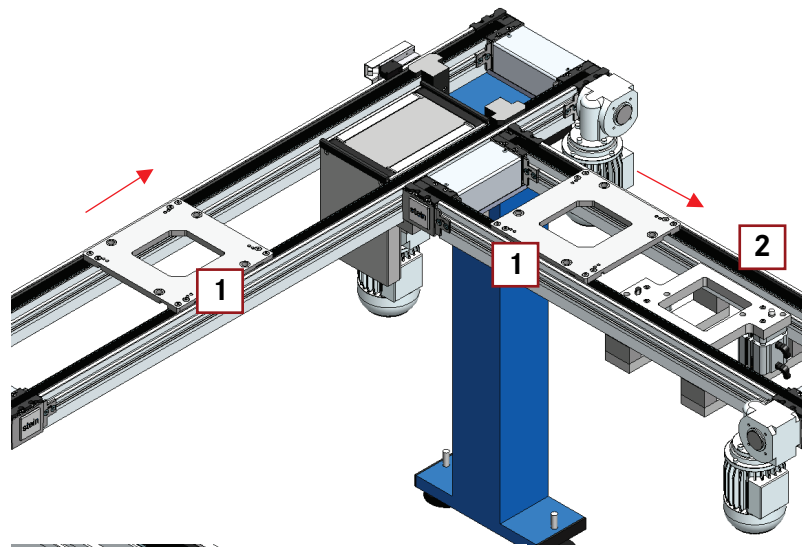
Permissible total weight	Workpiece, workpiece holder and workpiece carrier: 12 kg
Stroke	approx. 15 mm +1 WT= approx. 2 mm +1 over the drive belt
Position accuracy of the WT	In X and Y axis ± 0.1 mm In Z axis ± 0.1 mm (with central load) with NH
Compressed air connection	PUN 6x1, Fa. Festo / max. 6 bar
Permissible WT load	X-axis: 130 N Y-axis: 130 N Z-axis: 900 N at central load (operating pressure 6 bar) 600 N with central load (STEIN operating pressure 4 bar) From 100 N, the HZEO must be supported with a stand or base plate! M: 30Nm with off-center load

Advantages

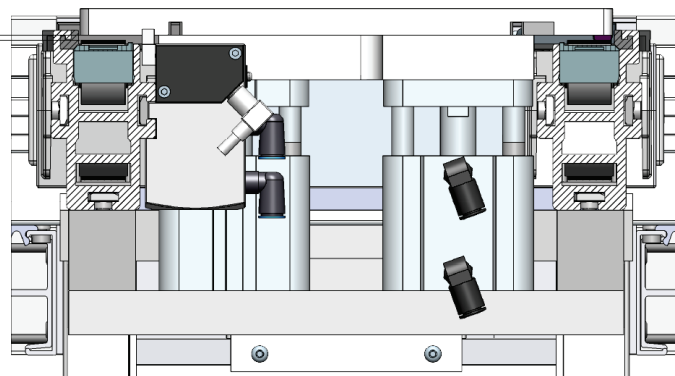
- the accessibility of the workpiece carrier from above and below
- the exact positioning of workpiece carriers and thus of the workpieces on them
- the lifting and support of the workpiece carrier during force-transmitting operations on the workpiece

Example of use

- 1 Frame pallet
- 2 Open lift/centring device HZEO



ca. 2mm



Mounting: Open Lift/Centring device

- 1 Belt element profile with groove
- 2 Open lift/centring device HZEO

