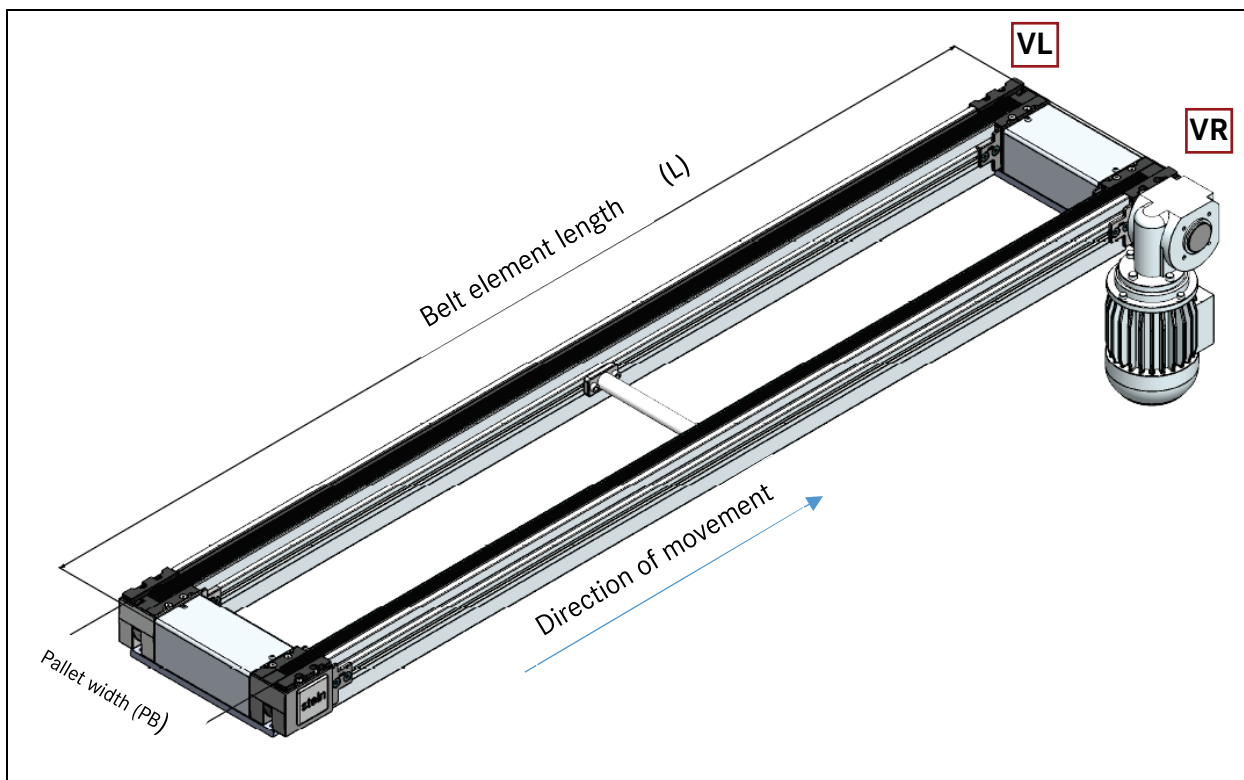


## Belt element with plastic guide rail (BEGL) (937002001)

### Drive set AC motor (300929001)



This belt element transports the workpiece carrier in longitudinal direction. The belt support consists of a sliding profile. The belt is driven by an AC geared motor with a clamping board.

3 longitudinal grooves on each side of the belt element offer the possibility of attaching various stoppers, stops and switches from the STEIN portfolio. The grooves can, of course, also be used for fastening other assemblies. However, please note that larger torques and loads on the profile should be fastened separately.

VL= Motor arrangement front left (pulling)

VR= Motor arrangement front right (pulling)

This belt element can also be found here in the download portal with a roller instead of a sliding strip under the belt.

Max. Permissible loads	80kg
------------------------	------

## Example of use

- 1 Belt element**  
(Main belt height level 0)
- 2 Belt element**  
(Cross section +6,7mm)

