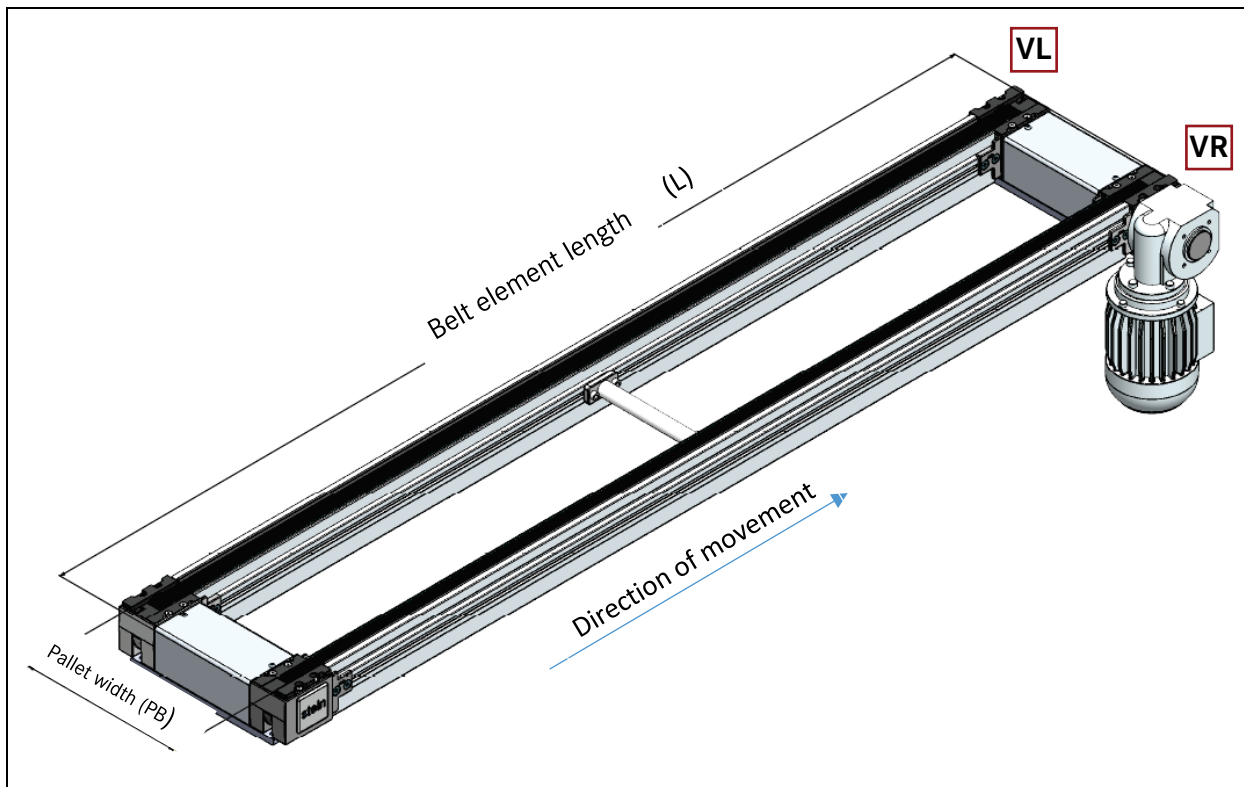


Belt element with rollers (90 100000 1)

Drive set AC motor (30092900 1)



This belt element transports the workpiece carrier in longitudinal direction. The belt support consists of a roller profile. The belt is driven by an AC geared motor with a clamping board.

3 longitudinal grooves on each side of the belt element offer the possibility of attaching various stoppers, stops and switches from the STEIN portfolio. The grooves can, of course, also be used for fastening other assemblies. However, please note that larger torques and loads on the profile should be fastened separately.

VL= Front left motor arrangement (pulling)

VR= Motor arrangement front right (pulling)

This belt element can also be found here in the download portal with a sliding strip instead of a roller under the belt.

Max. Permissible loads

80kg

Example of use

- 1 Belt element**
(Main belt
height level 0)
- 2 Belt element**
(Cross section
+6,7mm)

