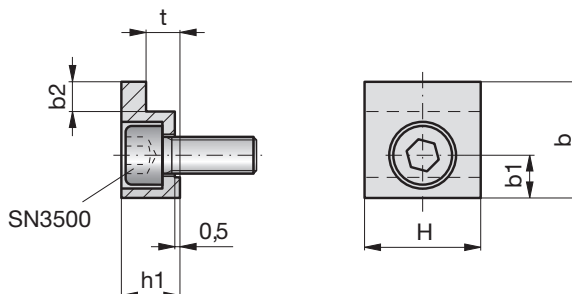


1

Halteklammern

Fixing devices

Brides de fixation



SN1710-

Mat.: ST
~DIN 9832

Type	d1 (SN1727)	H	b	b1	b2	h1	t	SN3500
1	19 - 50	20	20	7,5	5	10	6,3	M6 x 16
2	60 - 160	32	32	11,0	10	16	10,0	M10 x 20

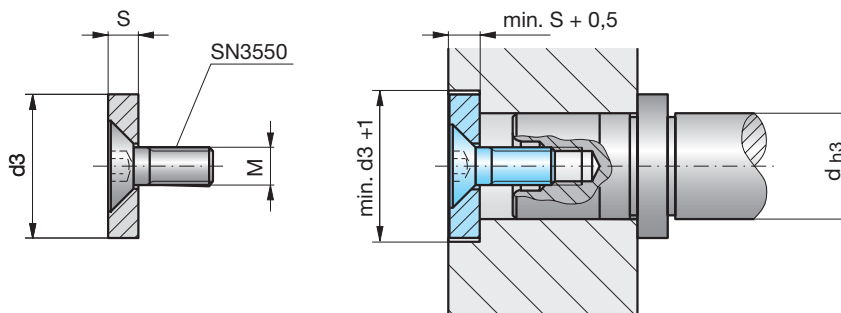
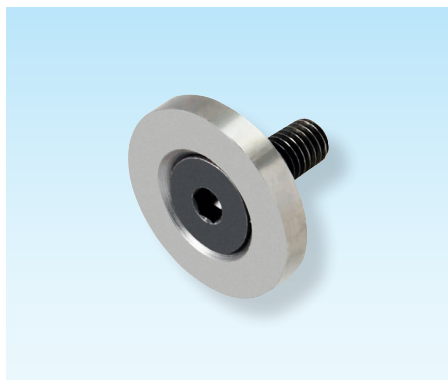
SN1710-Type



Haltescheiben

Retaining plates

Rondelles de fixation



SN1707-

Mat.: ST

d3	M	d	S	SN3550	für Säule/ for pillar/ pour colonne
22	M8	15/16	5,5	M8 x 25	SN4321
25	M8	19/20	5,5	M8 x 25	SN4321 / SN4322
32	M8	24/25	5,5	M8 x 25	SN4321 / SN4322
40	M8	30/32	7,5	M8 x 25	SN4321 / SN4322
50	M8	38/40	9,5	M8 x 25	SN4321 / SN4322
60	M8	48/50	9,5	M8 x 25	SN4321 / SN4322
73	M8	60/63	9,5	M8 x 25	SN4321 / SN4322
93	M12	80	12	M12 x 35	SN4321 / SN4322

SN1707-d3-M

