

1

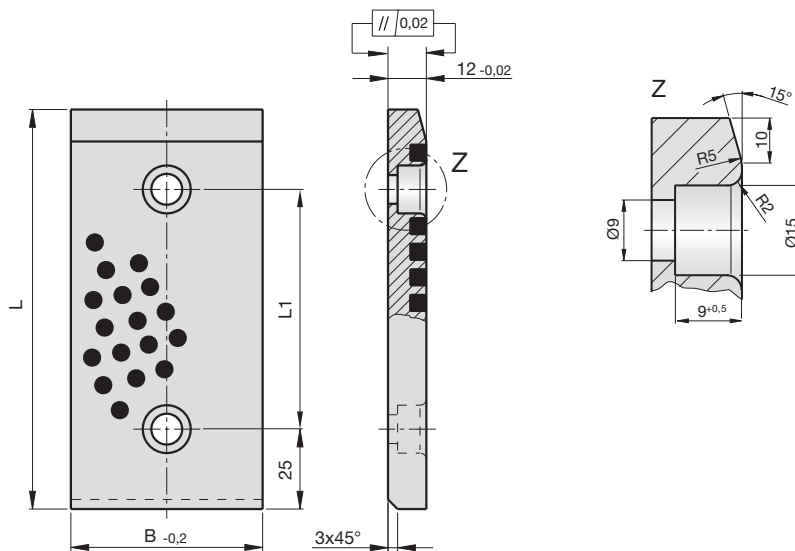
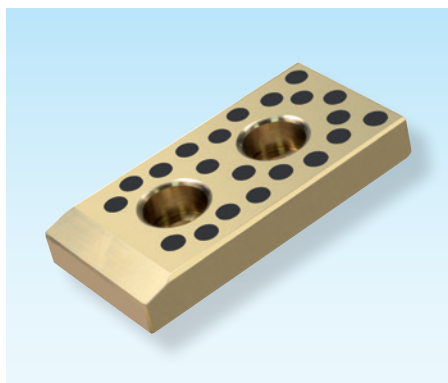


Form	B	D	L	L1	L2	L3	L4	Bohrungen Drillings Perçages	DIN 974 -1-R1-
A	100	16	100	60	60	20	-	2	10
C	100	16	160	120	60	20	-	4	10
E	100	16	250	105	60	20	-	6	10
C	125	20	100	60	85	20	-	4	12
C	125	20	160	120	85	20	-	4	12
E	125	20	250	105	85	20	-	6	12

Gleitplatten VDI 3357, selbstschmierend

Wear plates VDI 3357, self-lubricating

Plaques de frottement VDI 3357, autolubrifiantes



SN4177-

Mat.: Bronze
190-220 HB S10/3000
< 150 °C



SN4177-B-L



B	L	L1	Bohrungen Drillings Perçages	B	L	L1	Bohrungen Drillings Perçages
30	80	30	2	50	200	150	2
30	100	50	2	60	80	30	2
30	125	75	2	60	100	50	2
30	160	110	2	60	125	75	2
30	200	150	2	60	160	110	2
40	80	30	2	60	200	150	2
40	100	50	2	80	80	30	2
40	125	75	2	80	100	50	2
40	160	110	2	80	125	75	2
40	200	150	2	80	160	110	2
50	80	30	2	80	200	150	2
50	100	50	2				
50	125	75	2				
50	160	110	2				