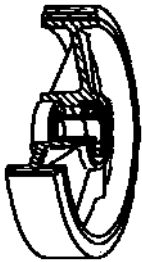




SERIES 63

**VULKOLLAN® WHEELS,
CAST IRON CENTRE,
SWIVEL TOP PLATE BRACKET TYPE EP,
WITH REAR ADJUSTABLE BRAKE**

Wheel description



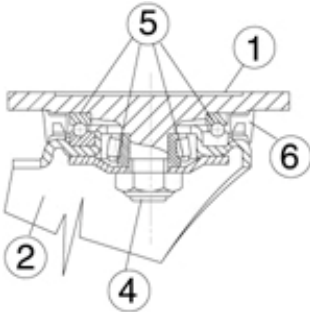
Tread: Vulkollan® polyurethane tread; hardness 93 +/-2 Shore A

Centre: cast iron.

Hub: the housing is obtained by moulding and turning and contains ball bearings series Z

Bracket description

Extra-heavy duty bracket type EP (max. load capacity 1600 daN)



1) **Plate:** electrolytically galvanised forged steel

2) **Fork:** electrolytically galvanised steel plate

4) **Central pin:** solid with the machined plate

5) **Swivel actions:** axial ball bearing and taper roller bearing

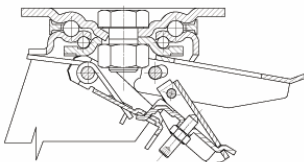
6) **Dust seal:** orange polyethylene

Finish: white galvanisation

Fitting: top plate

Brake description

Rear adjustable brake



Double-action brake that locks the wheel and the castor at the same time. The brake is efficient and easy to use: a simple top-to-bottom movement using the tip of the foot on two independent pedals is all that's needed to engage and release the lock quickly and smoothly. Locking force can be adjusted using an M8 socket screw.