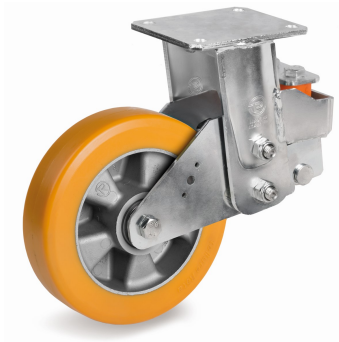
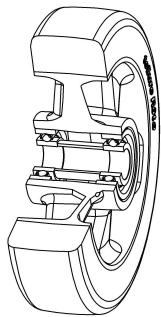


## SERIE 65HT



**WHEELS IN THICK “TR” POLYURETHANE,  
ALUMINIUM CENTRE,  
FIXED ELECTROWELDED SPRUNG-LOADED BRACKET  
TYPE EES MHD**

### Wheel description



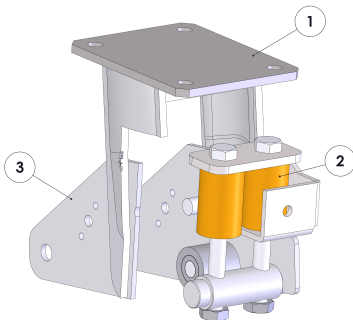
**Tread:** “TR” polyurethane, hardness 95 Shore A, very thick and rounded profile.

**Centre:** aluminium.

**Hub:** the housing is obtained by moulding and contains ball bearings series Z.

### Bracket description

**Electrowelded sprung-loaded bracket EES MHD-max loading capacity 1000 daN (damping up to 400 daN)**



1) Electrolytically galvanised top plate with deep-drawn legs electrowelded to the flange

2) Polyurethane springs

3) Internal moving fork: deep-drawn legs electrowelded to the tube