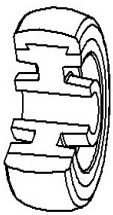


TWIN 36 SERIES



TWIN THERMOPLASTIC POLYURETHANE WHEELS WITH SWIVEL TOP PLATE BRACKETS WITH FRONT LOCKING BRAKE

Wheel description



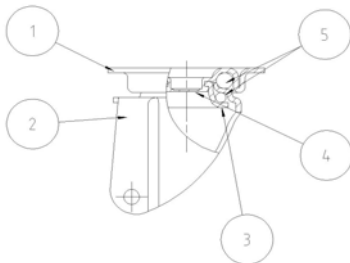
Wheel: Thermoplastic polyurethane wheels

Centre: Polyamide 6

Hub: the plain bearing bore results from a hole in the material forming the centre of the wheel and contains the axle.

Bracket description

Light duty bracket (max. carrying capacity 140 daN)



1) **Plate:** electrolytically galvanised steel plate

2) **Fork:** electrolytically galvanised steel plate

3) **Ball Racing Ring:** electrolytically galvanised steel plate

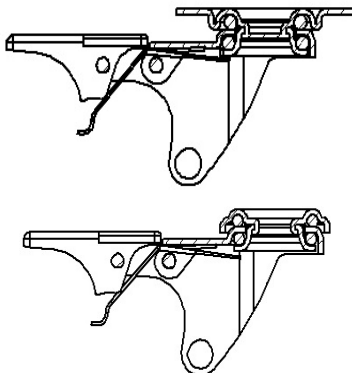
4) **King Pin:** incorporated in top plate and cold riveted

5) **Swivel actions:** double ring of greased balls

Finishing: electrolytic galvanisation

Fitting: top plate

Brake description



Front-locking brake

This brake fully locks wheel and castor rotation.

The hardened carbon steel spring has very high corrosion resistance.