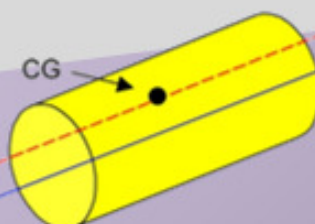
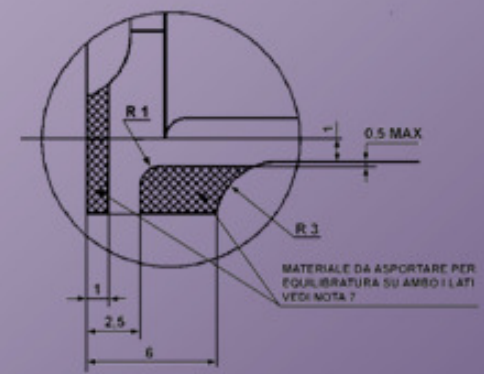


# DYNAMIC BALANCING OPERATIONS

Principal Inertia Axis



Geometric Centerline



- VIBRO-CONTROLLED
- MANUAL
- ELETTOCHEMICAL
- NOT REMOVABLE INK
- DATA MATRIX MARKING
- DOT PEENING MARKING

## PERMANENT MARKING BY N.C. VIBRO PEN

