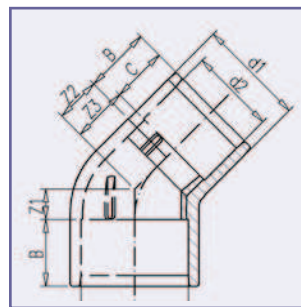


Elbow 45°

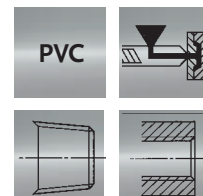
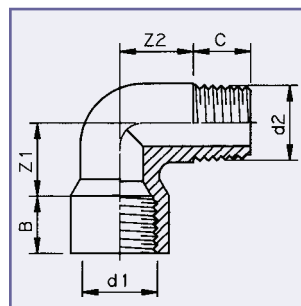
Knie 45°
 Winkel 45°
 Coude 45°
 Gomito 45°
 Codo 45°



Art.code	d1	d2	Z1	Z2	Z3	B	C	PN	Quantity
2.32.050	50	40	14	21	26	31	26	16	100
2.32.063	63	50	17.5	26.5	32.5	37.5	31.5	16	50

Elbow 90°

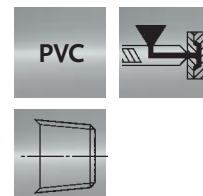
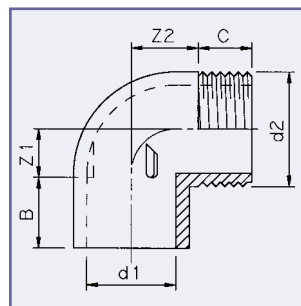
Knie 90°
 Winkel 90°
 Coude 90°
 Gomito 90°
 Codo 90°



Art.code	d1	d2	Z1	Z2	B	C	PN	Quantity
2.28.020	1/2" (F)	1/2" (M)	20.5	20.5	16	16	10	200
2.28.025	3/4" (F)	3/4" (M)	24.5	24.5	17	17	10	300
2.28.032	1" (F)	1" (M)	30	30	21	21	10	200

Elbow 90°

Knie 90°
 Winkel 90°
 Coude 90°
 Gomito 90°
 Codo 90°



Art.code	d1	d2	Z1	Z2	B	C	PN	Quantity
2.29.010	20	3/4" (M)	11	17	16	16	16	200
2.29.020	25	1" (M)	17	20	19	19	16	350
2.29.030	32	3/4" (M)	21	29	22	19	10	250
2.29.040	32	1" (M)	21	30	22	19	10	250
2.29.051	32	1 1/4" (M)	17	24	22	21	10	250
2.29.061	40	1 1/4" (M)	22	27	26	21	10	200
2.29.071	40	1 1/2" (M)	22	27	26	21	10	175
2.29.081	50	1 1/4" (M)	28	34	31	21	10	150
2.29.091	50	1 1/2" (M)	28	34	31	21	10	125
2.29.101	50	2" (M)	28	34	31	26	10	100